

# SMD POWER INDUCTORS:

## Part Numbering

$$\begin{array}{cccc} \text{LPM} & \text{0630} & \text{- 1R0} & \text{- M} \\ | & | & | & | \\ \text{A} & \text{B} & \text{C} & \text{D} \end{array}$$

- A. The products code
- B. Type code
- C. Inductance (L) 1R0=1.0 $\mu$ H
- D. Inductance tolerance values M=  $\pm$  20%

## FEATURES

- Shielded construction
- Frequency range up to 5.0 MHz
- Lowest DCR/ $\mu$ H, in this package size
- Handles high transient current spikes without saturation
- Ultra low buzz noise, due to composite construction
- 100 % Lead (Pb)-free and RoHS compliant

## APPLICATIONS

- PDA/Notebook/Desktop/Server applications
- High current POL converters
- Low profile, high current power supplies
- Battery powered devices
- DC/DC converters in distributed power systems

## NOTES

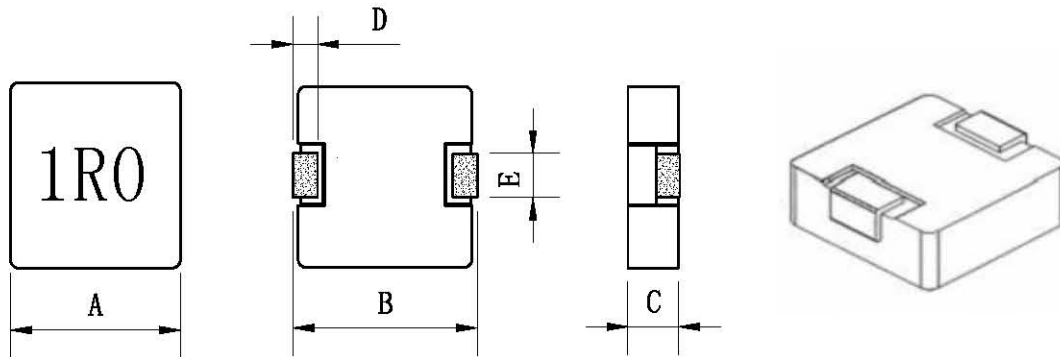
1. All test data is referenced to 25°C ambient.
2. Idc : DC current (A) that will cause an approximate  $\Delta T$  of 40°C
3. Isat : DC current (A) that will cause Lo to drop approximately 30%
4. Operating Temperature Range -55°C to + 125°C
5. The part temperature (ambient + temp rise ) should not exceed 125°C under worse case operating conditions. Circuit design , component placement, PWB trace size and thickness, airflow and other cooling provision all affect the part temperature. Part temperature should be verified in the end application.
6. The rated current as listed is either the saturation current or the heating current depending on which value is lower.
7. We can design according to customer's request to the Land HT



# ShaanXi shinhom Enterprise Co., Ltd

## SMD POWER INDUCTORS:

LPM-0420M Series



Series	A (mm)	B (mm)	C (mm)	D (mm)	E (mm)
LPM0420-1R0M	4.06±0.254	4.45±0.254	2.0MAX	0.76±0.3	2.0±0.2
Part Number	L0 Inductance (μH) ±20%	Heat Rating Current DC Amps.IDC(A)	Saturation Current Part Number DC Amps. Isat (A)	DCR MΩ TYPICAL 25° C	DCR mΩ MAX 25° C
LPM0420-R10M	0.1	12.0	22.0	3.5	4.0
LPM0420-R22M	0.22	9.0	12.5	6.0	6.6
LPM0420-R47M	0.47	7.0	9.5	21.0	25.0
LPM0420-R56M	0.56	6.5	10.0	23.0	27.0
LPM0420-R68M	0.68	5.2	8.0	27.0	29
LPM0420-1R0M	1.0	4.5	7.0	28.0	30.0
LPM0420-1R2M	1.2	4.5	7.0	28.0	30.0
LPM0420-1R5M	1.5	4.0	6.0	38.0	46.0
LPM0420-2R2M	2.2	3.0	5.0	52	58
LPM0420-3R3M	3.3	2.5	4.0	74.0	87.0
LPM0420-4R7M	4.7	2.2	3.0	92	105.0

\*: you require another part number please contact with us.

\*\*: Inductance Tolerance ± 20%

Note 1: All test data is referenced to 25 °C ambient.

Note 2: Idc : DC current (A) that will cause an approximate ΔT of 40 °C

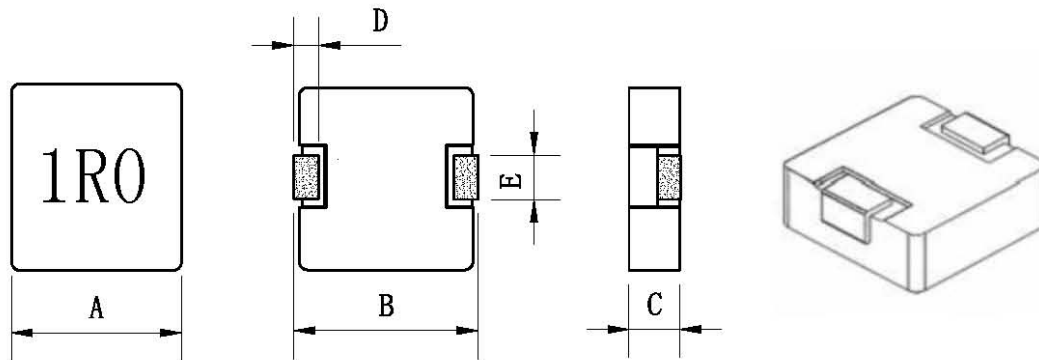
Note 3: Isat : DC current (A) that will cause Lo to drop approximately 30%



# ShaanXi shinhom Enterprise Co., Ltd

## SMD POWER INDUCTORS :

## LPM-0520M Series



Series	A (mm)	B (mm)	C (mm)	D (mm)	E (mm)
LPM0520-1R0M	5.18±0.254	5.49±0.254	2.0MAX	1.2±0.3	2.3±0.2
Part Number	L0 Inductance (μH) ±20%	Heat Rating Current DC Amps.IDC(A)	Saturation Current Part Number DC Amps. Isat(A)	DCR MΩ TYPICAL 25° C	DCR mΩ MAX 25° C
LPM0520-R10M	0.1	21.0	25.0	2.7	2.9
LPM0520-R22M	0.22	13.0	17.0	4.1	4.5
LPM0520-R33M	0.33	7.5	13	5.5	5.9
LPM0520-R47M	0.47	8.0	12.5	7.1	7.7
LPM0520-1R0M	1	7.0	7.5	16.8	18.1
LPM0520-2R2M	2.2	5.0	5.5	34.9	37.7
LPM0520-3R3M	3.3	4.1	4.7	58.5	68.0
LPM0520-4R7M	4.7	3.0	3.2	75.3	81.3
LPM0520-5R6M	5.6	2.2	3.0	85.2	92.0
LPM0520-6R8M	6.8	2.1	2.8	114	121.0
LPM0520-100M	10.0	2.0	2.2	200.0	220.0

\*: you require another part number please contact with us.

\*\*: Inductance Tolerance ± 20%

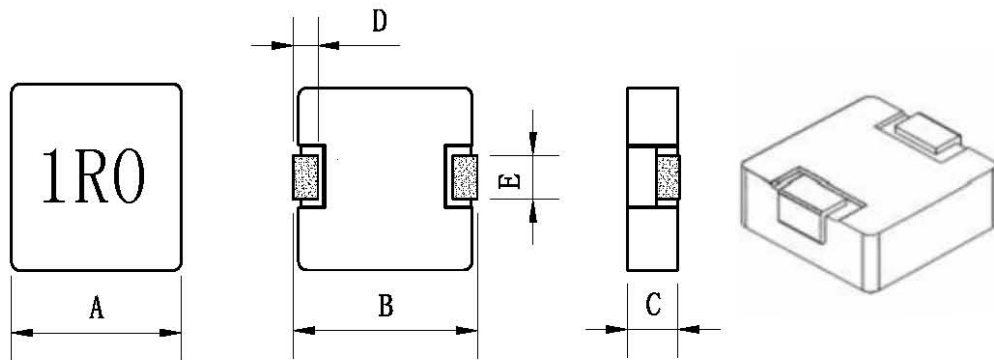
Note 1: All test data is referenced to 25 °C ambient.

Note 2: Idc : DC current (A) that will cause an approximate ΔT of 40 °C

Note 3: Isat : DC current (A) that will cause Lo to drop approximately 30%

## SMD POWER INDUCTORS:

## LPM-0530M Series



Series	A (mm)	B (mm)	C (mm)	D (mm)	E (mm)
LPM 0530-1R0M	$5.18 \pm 0.254$	$5.49 \pm 0.254$	3.0MAX	$1.2 \pm 0.3$	$2.3 \pm 0.2$
Part Number	L0 Inductance ( $\mu\text{H}$ ) $\pm 20\%$	Heat Rating Current DC Amps.IDC(A)	Saturation Current Part Number DC Amps. Isat(A)	DCR $\text{M}\Omega$ TYPICAL $25^\circ\text{C}$	DCR $\text{m}\Omega$ MAX $25^\circ\text{C}$
LPM0530-R68M	0.68	8.5	14.0	11	12.0
LPM0530-1R0M	1	7	11.0	13	14.0
LPM0530-1R2M	1.2	6.5	11.0	15	16.0
LPM0530-1R5M	1.5	6	10.0	20	25.0
LPM0530-2R2M	2.2	5.5	9.0	29	35.0
LPM0530-3R3M	3.3	5.0	7.0	32	38.0
LPM0530-4R7M	4.7	3.0	5.0	50	60

\*: you require another part number please contact with us.

\*\*: Inductance Tolerance  $\pm 20\%$

Note 1: All test data is referenced to  $25^\circ\text{C}$  ambient.

Note 2: Idc : DC current (A) that will cause an approximate  $\Delta T$  of  $40^\circ\text{C}$

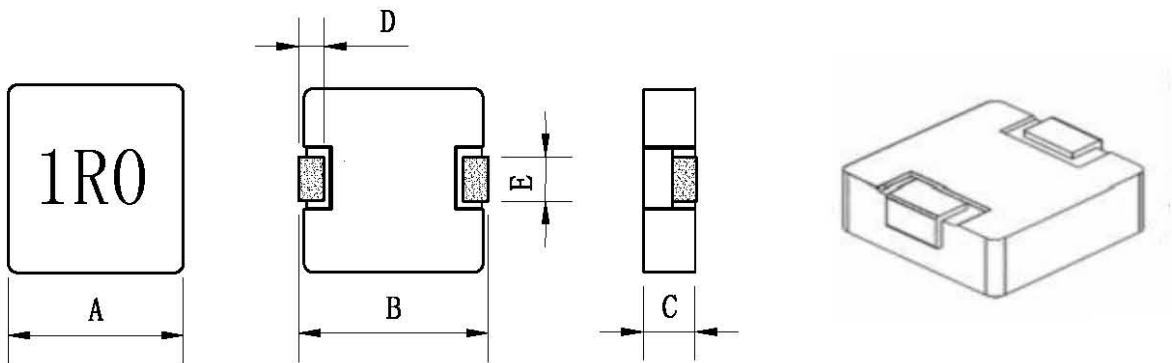
Note 3: Isat : DC current (A) that will cause Lo to drop approximately 30%



# ShaanXi shinhom Enterprise Co., Ltd

## SMD POWER INDUCTORS :

LPM-0612M Series



Series	A (mm)	B (mm)	C (mm)	D (mm)	E (mm)
LPM0612-1R0M	$6.6 \pm 0.2$	7.4MAX	1.2MAX	$1.5 \pm 0.5$	$3.0 \pm 0.2$
Part Number	L0 Inductance ( $\mu\text{H}$ ) $\pm 20\%$	Heat Rating Current DC Amps.IDC(A)	Saturation Current Part Number DC Amps. Isat(A)	DCR $\text{m}\Omega$ TYPICAL 25 ° C	DCR $\text{m}\Omega$ MAX 25 ° C
LPM0612-R56M	0.56	7.0	11.0	13.5	15.5
LPM0612-R68M	0.68	6.5	9.0	30.0	33.5
LPM0612-R82M	0.82	6.0	8.0	32.0	35.0
LPM0612-1R0M	1.0	6.0	7.0	32.0	35.0
LPM0612-2R2M	2.2	3.5	5.0	64.0	67.0
LPM0612-3R3M	3.3	3.0	4.0	80	92.0
LPM0612-4R7M	4.7	2.5	3.5	120.0	130.0
LPM0612-100M	10.0	2.0	2.2	250.0	290.0

\*: you require another part number please contact with us.

\*\*: Inductance Tolerance  $\pm 20\%$

Note 1: All test data is referenced to 25 °C ambient.

Note 2: Idc : DC current (A) that will cause an approximate  $\Delta T$  of 40 °C

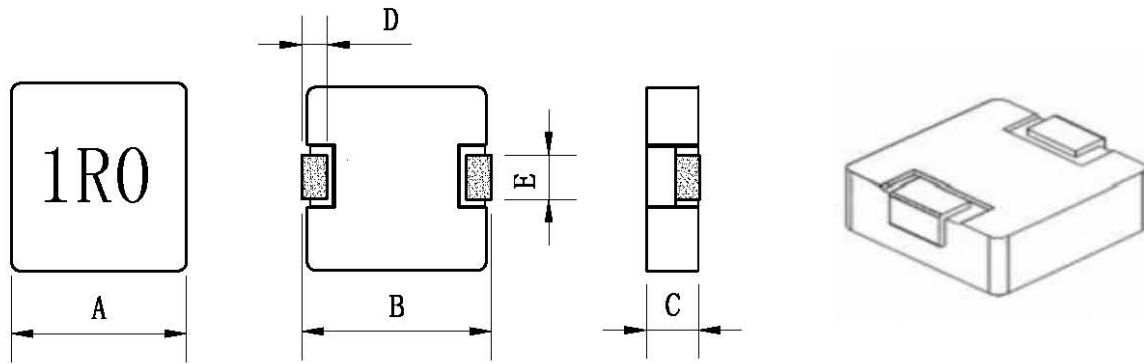
Note 3: Isat : DC current (A) that will cause Lo to drop approximately 30%



# ShaanXi shinhom Enterprise Co., Ltd

## SMD POWER INDUCTORS :

LPM-0618M Series



Series	A (mm)	B (mm)	C (mm)	D (mm)	E (mm)
LPM0618-1R0M	$6.6 \pm 0.2$	7.4MAX	1.8MAX	$1.5 \pm 0.5$	$3.0 \pm 0.2$
Part Number	L0 Inductance ( $\mu\text{H}$ ) $\pm 20\%$	Heat Rating Current DC Amps.IDC(A)	Saturation Current Part Number DC Amps. Isat (A)	DCR $\text{M}\Omega$ TYPICAL 25 ° C	DCR $\text{m}\Omega$ MAX 25 ° C
LPM0618-R10M	0.1	18.0	45.0	2.0	2.5
LPM0618-R33M	0.33	12.0	22.0	5.2	6.8
LPM0618-R47M	0.47	11.0	18.0	7.3	8.4
LPM0618-R68M	0.68	9.0	17.0	10.8	12.7
LPM0618-1R0M	1.0	7.0	14.0	23.0	27.0
LPM0618-2R2M	2.2	6.00	13.0	44.0	48.0
LPM0618-3R3M	3.3	3.50	10.0	76.0	80.0
LPM0618-4R7M	4.7	3	5.0	95.0	103.0
LPM0618-6R8M	6.8	2.8	3.5	120.0	130.0

\*: you require another part number please contact with us.

\*\*: Inductance Tolerance  $\pm 20\%$

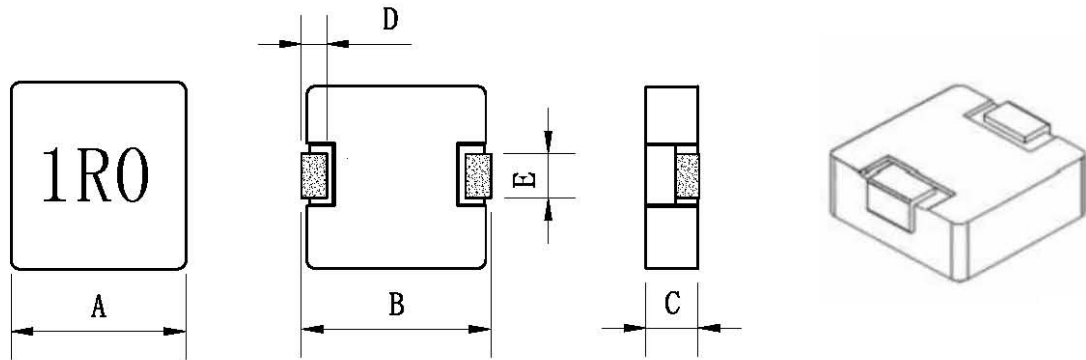
Note 1: All test data is referenced to 25 °C ambient.

Note 2: Idc : DC current (A) that will cause an approximate  $\Delta T$  of 40 °C

Note 3: Isat : DC current (A) that will cause Lo to drop approximately 30%

## SMD POWER INDUCTORS :

LPM-0624M Series



Series	A (mm)	B (mm)	C (mm)	D (mm)	E (mm)
LPM0624-1R0M	6.6 ± 0.2	7.4MAX	2.4MAX	1.5 ± 0.5	3.0 ± 0.2
Part Number	L0 Inductance (μH) ±20%	Heat Rating Current DC Amps.IDC(A)	Saturation Current Part Number DC Amps. Isat ( A )	DCR MΩ TYPICAL 25 ° C	DCR mΩ MAX 25 ° C
LPM0624-R47M	0.47	14.0	19.0	5.3	6.5
LPM0624-R68M	0.68	11.5	18.0	7.9	9.4
LPM0624-R82M	0.82	10.5	16.0	9.6	11.8
LPM0624-1R0M	1.0	10.0	15.0	12.5	14.2
LPM0624-1R5M	1.5	8.0	13.0	17.6	21.2
LPM0624-2R2M	2.2	7.0	12.0	28.0	34.0
LPM0624-3R3M	3.3	5.5	9.0	45.0	51.6
LPM0624-4R7M	4.7	5.0	7.5	57.0	63.0
LPM0624-6R8M	6.8	4.0	6.0	83.0	95.0
LPM0624-8R2M	8.2	3.5	5.0	94.0	106.0
LPM0624-100M	10.0	3.1	4.0	108.0	129.0

\*: you require another part number please contact with us.

\*\*: Inductance Tolerance ± 20%

Note 1: All test data is referenced to 25 °C ambient.

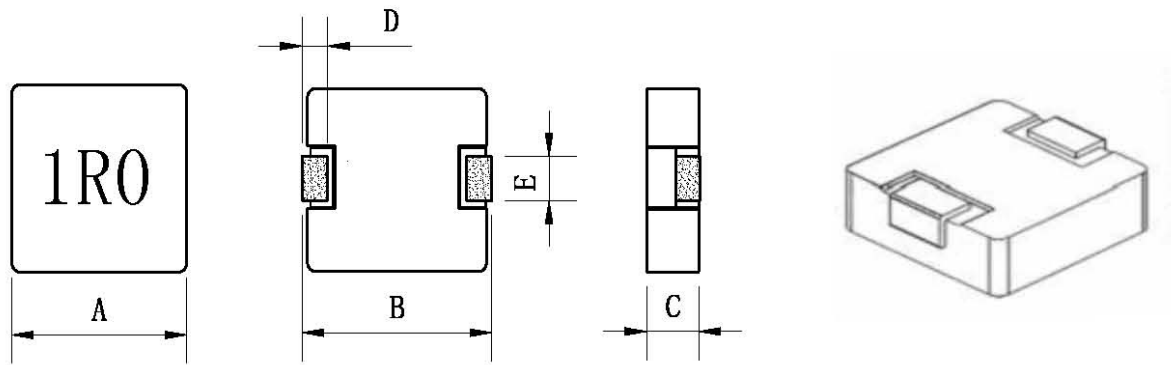
Note 2: Idc : DC current (A) that will cause an approximate ΔT of 40 °C

Note 3: Isat : DC current (A) that will cause Lo to drop approximately 30%

## SMD POWER

## INDUCTORS :

## LPM-0630M Series



Series	A (mm)	B (mm)	C (mm)	D (mm)	E (mm)
LPM0630-1R0M	6.6 ± 0.2	7.4MAX	3.0MAX	1.5 ± 0.5	3.0 ± 0.2
Part Number	L0 Inductance (μH) ± 20%	Heat Rating Current DC Amps.IDC(A)	Saturation Current Part Number DC Amps. Isat (A)	DCR MΩ TYPICAL 25 ° C	DCR mΩ MAX 25 ° C
LPM0630-R10M	0.1	32.5	60	1.5	1.7
LPM0630-R20M	0.2	24.0	34.0	2.4	3.0
LPM0630-R33M	0.33	21.0	25.0	3.0	3.5
LPM0630-R47M	0.47	18	20.0	3.4	4.1
LPM0630-R68M	0.68	16.0	17.0	4.8	5.3
LPM0630-R82M	0.82	14.0	16.0	5.4	6.0
LPM0630-1R0M	1.0	12.0	15.0	8.4	9.2
LPM0630-1R5M	1.5	10.0	14.0	10.6	12.1
LPM0630-2R2M	2.2	8.0	10.0	13.5	15.0
LPM0630-3R3M	3.3	6.5	9.5	18.0	22.0
LPM0630-4R7M	4.7	5.5	6.5	28.0	33.0
LPM0630-5R6M	5.6	5.5	6.0	39.0	42.0
LPM0630-6R8M	6.8	4.5	6.0	43.9	50.0
LPM0630-8R2M	8.2	4.5	6.0	54.0	60.0
LPM0630-100M	10.0	4.0	5.5	62.0	68.0
LPM0630-150M	15.0	3.0	4.0	90.0	95.0
LPM0630-220M	22.0	2.5	3.0	125.0	135.0

\*: you require another part number please contact with us.

\*\* : Inductance Tolerance ± 20%

Note 1: All test data is referenced to 25 °C ambient.

Note 2: Idc : DC current (A) that will cause an approximate ΔT of 40 °C

Note 3: Isat : DC current (A) that will cause Lo to drop approximately 30%

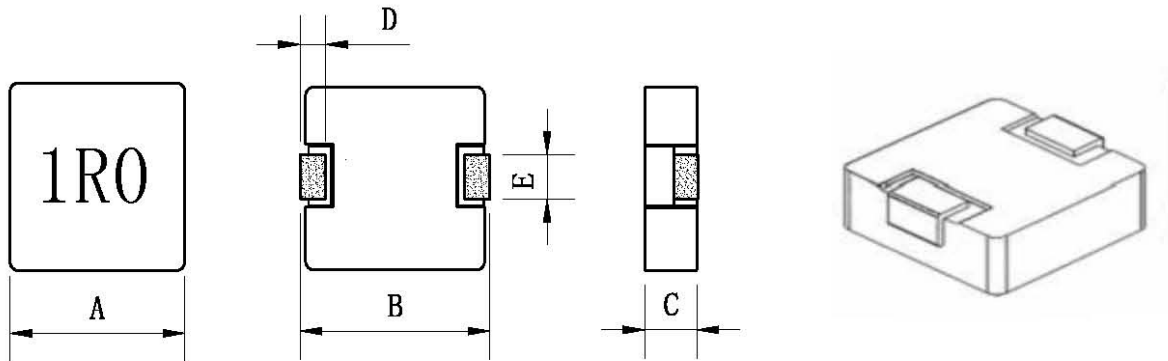


# ShaanXi shinhom Enterprise Co., Ltd

## SMD POWER

## INDUCTORS :

## LPM-0640M Series



Series	A (mm)	B (mm)	C (mm)	D (mm)	E (mm)
LPM0640-1R0M	$6.6 \pm 0.2$	7.4MAX	4.0MAX	$1.5 \pm 0.5$	$3.0 \pm 0.2$
Part Number	L0 Inductance ( $\mu\text{H}$ ) $\pm 20\%$	Heat Rating Current DC Amps.IDC(A)	Saturation Current Part Number DC Amps. Isat (A)	DCR $\text{M}\Omega$ TYPICAL 25 ° C	DCR $\text{m}\Omega$ MAX 25 ° C
LPM0640-R47M	0.47	20	22.0	2.3	3.0
LPM0640-R68M	0.68	18.0	20.0	3.8	5
LPM0640-R82M	0.82	16.0	18.0	4.5	6.5
LPM0640-1R0M	1.0	14.0	17.0	5.2	7.0
LPM0640-1R5M	1.5	12.0	15.0	6.5	8.5
LPM0640-2R2M	2.2	10.0	13.0	13.0	17.0
LPM0640-3R3M	3.3	9.0	11.0	19.1	27.0
LPM0640-4R7M	4.7	7.0	9.0	27.5	35.0
LPM0640-6R8M	6.8	6.0	8.0	36.0	45.0
LPM0640-8R2M	8.2	5.0	7.0	52.0	60.0
LPM0640-100M	10.0	4	6.0	63.0	70.0

\*: you require another part number please contact with us.

\*\*: Inductance Tolerance  $\pm 20\%$

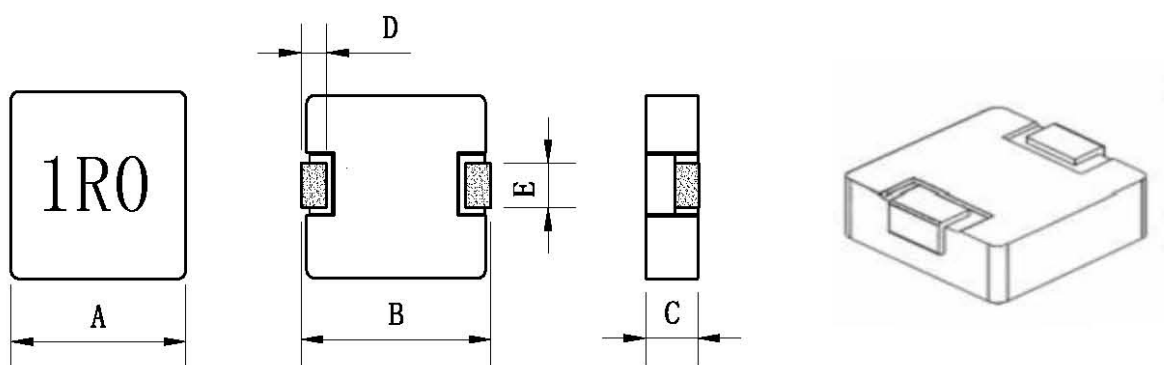
Note 1: All test data is referenced to 25 °C ambient.

Note 2: Idc : DC current (A) that will cause an approximate  $\Delta T$  of 40 °C

Note 3: Isat : DC current (A) that will cause Lo to drop approximately 30%

## SMD POWER INDUCTORS :

LPM-0650M Series



Series	A (mm)	B (mm)	C (mm)	D (mm)	E (mm)
LPM0650-1R0M	$6.6 \pm 0.2$	7.3MAX	5.0MAX	$1.5 \pm 0.5$	$3.0 \pm 0.2$
Part Number	L0 Inductance ( $\mu\text{H}$ ) $\pm 20\%$	Heat Rating Current DC Amps. IDC(A)	Saturation Current Part Number DC Amps. Isat (A)	DCR $\text{M}\Omega$ TYPICAL $25^\circ\text{C}$	DCR $\text{m}\Omega$ MAX $25^\circ\text{C}$
LPM0650-R13M	0.13	42.0	48.0	1.0	1.2
LPM0650-R22M	0.22	30.0	35.0	1.1	1.3
LPM0650-R36M	0.36	21.0	25.0	2.7	3.1
LPM0650-R47M	0.47	20.0	21.0	3.25	3.75
LPM0650-R56M	0.56	18	20.0	3.4	3.6
LPM0650-R68M	0.68	16.0	18.0	3.9	4.2
LPM0650-R82M	0.82	16.5	17.0	4.6	4.9
LPM0650-1R0M	1.0	13.0	15.0	5.6	6.5
LPM0650-1R5M	1.5	11.0	12.0	6.0	7.5
LPM0650-2R2M	2.2	8.0	12.0	11.2	12.5
LPM0650-3R3M	3.3	7.0	9.0	19.9	20.9
LPM0650-4R7M	4.7	6.5	7.0	23.0	25.0
LPM0650-6R8M	6.8	5.5	6.0	36.5	41.0
LPM0650-8R2M	8.2	5.5	5.5	40.0	43.0
LPM0650-100M	10.0	4.5	5.3	48.0	55.0
LPM0650-330M	33.0	3.0	4.0	150.0	180.0
LPM0650-470M	47.0	2.5	3.5	200.0	230.0
LPM0650-560M	56.0	2.0	3.0	245.0	280.0

\*: you require another part number please contact with us.

\*\*: Inductance Tolerance  $\pm 20\%$

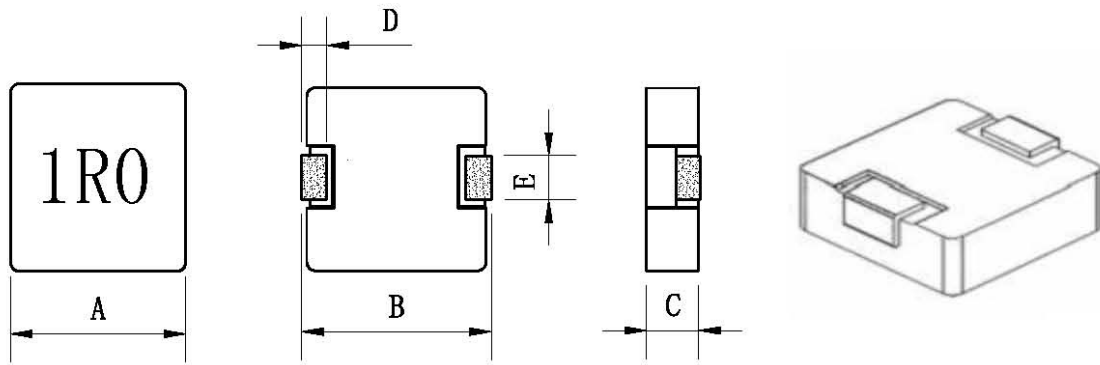
Note 1: All test data is referenced to  $25^\circ\text{C}$  ambient.

Note 2: Idc : DC current (A) that will cause an approximate  $\Delta T$  of  $40^\circ\text{C}$

Note 3: Isat : DC current (A) that will cause Lo to drop approximately 30%

## SMD POWER INDUCTORS :

## LPM-1040M Series



Series	A (mm)	B (mm)	C (mm)	D (mm)	E (mm)
LPM1040-1R0M	10.3 ± 0.2	11.2 ± 1.0	4.0MAX	2.0 ± 0.5	3.0 ± 0.3
Part Number	LO Inductance (μH) ± 20%	Heat Rating Current DC Amps.IDC(A)	Saturation Current Part Number DC Amps. Isat (A)	DCR MΩ TYPICAL 25 ° C	DCR mΩ MAX 25 ° C
LPM1040-R22M	0.22	35.0	60.0	0.9	1.0
LPM1040-R36M	0.36	30.0	50.0	1.05	1.2
LPM1040-R47M	0.47	30	40.0	1.53	1.68
LPM1040-R56M	0.56	25	33.0	2.1	2.4
LPM1040-R68M	0.68	23.0	30.0	2.1	2.4
LPM1040-R82M	0.82	20.0	29.0	3.1	4.0
LPM1040-1R0M	1.0	18	28.0	3.0	3.3
LPM1040-1R5M	1.5	16.0	25.0	4.8	5.4
LPM1040-2R2M	2.2	12.0	18.0	6.0	7.0
LPM1040-3R3M	3.3	10.0	16.0	10.8	11.8
LPM1040-4R7M	4.7	8.5	15.0	17.0	20.0
LPM1040-5R6M	5.6	8.0	14.0	20.0	23.0
LPM1040-6R8M	6.8	7.0	12.0	22.5	25.0
LPM1040-8R2M	8.2	6.0	9.0	30.0	32.0
LPM1040-100M	10.0	5.5	8.5	34	37.0
LPM1045-150M	15.0	5.00	7.0	50	55.0
LPM1045-220M	22.0	4.0	5.5	60	66.0
LPM1045-101M	100.0	1.2	2.5	268	290.0

\*: you require another part number please contact with us.

\*\*: Inductance Tolerance ± 20%

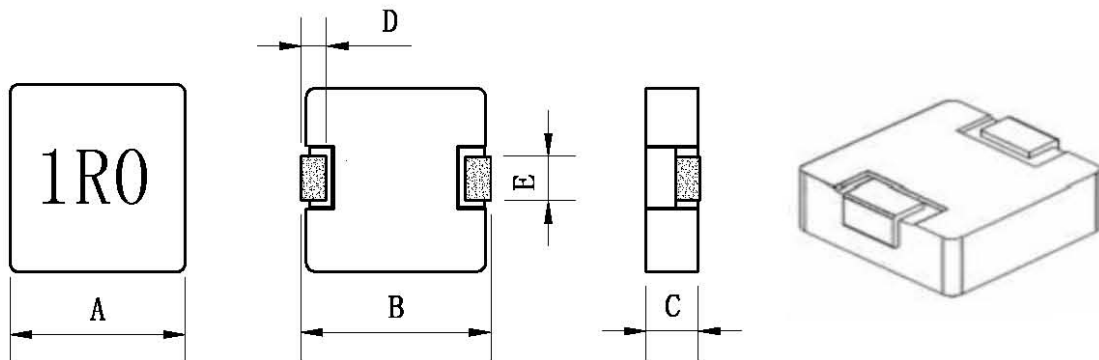
Note 1: All test data is referenced to 25 °C ambient.

Note 2: Idc : DC current (A) that will cause an approximate ΔT of 40 °C

Note 3: Isat : DC current (A) that will cause Lo to drop approximately 30%

## SMD POWER INDUCTORS :

## LPM-1050M Series



Series	A (mm)	B (mm)	C (mm)	D (mm)	E (mm)
LPM1050-1R0M	10.3 ± 0.2	11.2 ± 1.0	5.0MAX	2.0 ± 0.5	3.0 ± 0.3
Part Number	L0 Inductance (µH) ± 20%	Heat Rating Current DC Amps.IDC(A)	Saturation Current Part Number DC Amps. Isat (A)	DCR MΩ TYPICAL 25 ° C	DCR mΩ MAX 25 ° C
LPM1050-R82M	0.82	22.0	39.0	3.0	7.0
LPM1050-1R0M	1.0	17.5	32.0	3.5	7.5
LPM1050-1R2M	1.2	19.5	29.0	4.3	7.9
LPM1050-1R5M	1.5	15.0	27.5	5.2	8.0
LPM1050-2R2M	2.2	12.0	21.5	6.5	10.0
LPM1050-3R3M	3.3	10.0	18.6	10.1	14.0
LPM1050-4R7M	4.7	9.5	16.5	15.5	23.6
LPM1050-5R6M	5.6	8.5	15	18.9	25.0
LPM1050-6R8M	6.8	8.0	14	23.5	30.0
LPM1050-8R2M	8.2	7.0	12.5	28.3	35.0
LPM1050-100M	10.0	6.8	11.5	30.2	38.0
LPM1050-150M	15.0	5.0	9.0	48.0	55.0
LPM1050-220M	22.0	4.5	8.0	50.0	58.0
LPM1050-330M	33.0	3.5	6.5	75.0	90.0
LPM1050-470M	47.0	3.0	5.0	110.0	130.0

\*: you require another part number please contact with us.

\*\*: Inductance Tolerance ± 20%

Note 1: All test data is referenced to 25 °C ambient.

Note 2: Idc : DC current (A) that will cause an approximate ΔT of 40 °C

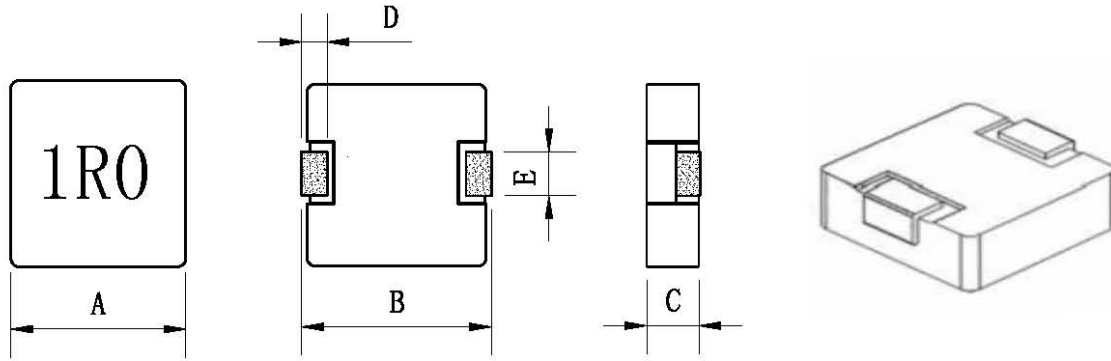
Note 3: Isat : DC current (A) that will cause Lo to drop approximately 30%



# ShaanXi shinhom Enterprise Co., Ltd

## SMD POWER INDUCTORS:

## LPM-1250M Series



Series	A (mm)	B (mm)	C (mm)	D (mm)	E (mm)
LPM1250-1R0M	12.8±0.5	13.2±1.0	5.0MAX	2.5±0.5	3.8±0.2
Part Number	L0 Inductance (μH) ±20%	Heat Rating Current DC Amps.IDC(A)	Saturation Current Part Number DC Amps. Isat (A)	DCR MΩ TYPICAL 25 ° C	DCR mΩ MAX 25 ° C
LPM1250-R36M	0.36	41.0	50.0	0.77	1.1
LPM1250-R47M	0.47	39.0	45.0	1.1	1.3
LPM1250-R56M	0.56	36.0	40.0	1.2	1.5
LPM1250-R68M	0.68	34.0	38.0	1.5	1.7
LPM1250-R82M	0.82	26.0	35.0	1.8	2.1
LPM1250-1R0M	1.0	23.0	32.0	2.1	2.5
LPM1250-1R2M	1.2	20.0	30.0	2.6	3.0
LPM1250-1R5M	1.5	18.0	27.0	3.4	4.1
LPM1250-2R2M	2.2	16.0	25.0	4.6	5.5
LPM1250-3R3M	3.3	15.0	24.0	7.7	9.2
LPM1250-4R7M	4.7	11.0	21.0	12.8	15.0
LPM1250-5R6M	5.6	9.5	18.0	14.3	16.4
LPM1250-6R8M	6.8	8.5	15.0	15.4	18.5
LPM1250-8R2M	8.2	7.5	12.0	18.9	24.0
LPM1250-100M	10.0	6.5	10.0	20.0	25.5

\*: you require another part number please contact with us.

\*\* : Inductance Tolerance ± 20%

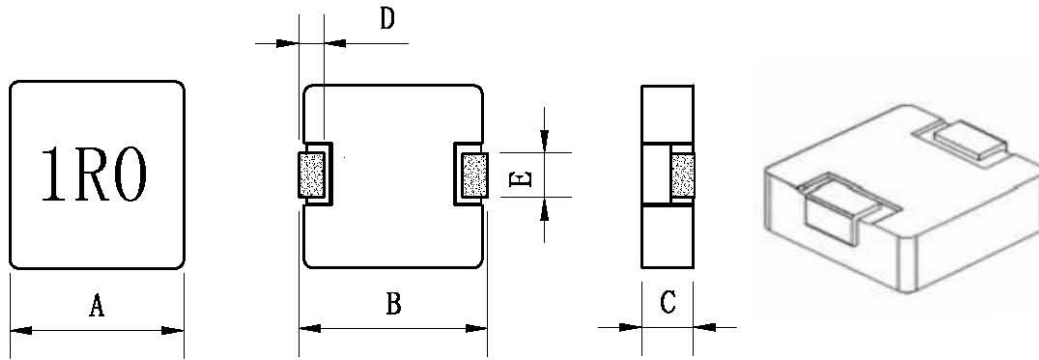
Note 1: All test data is referenced to 25 °C ambient.

Note 2: Idc : DC current (A) that will cause an approximate ΔT of 40 °C

Note 3: Isat : DC current (A) that will cause Lo to drop approximately 30%

## SMD POWER INDUCTORS :

## LPM-1260M Series



Series	A (mm)	B (mm)	C (mm)	D (mm)	E (mm)
LPM1260-1R0M	12.8 ± 0.5	13.2 ± 1.0	6.0MAX	2.5 ± 0.5	3.8 ± 0.2
Part Number	LO Inductance (μH) ± 20%	Heat Rating Current DC Amps.IDC(A)	Saturation Current Part Number DC Amps. Isat	DCR MΩ TYPICAL 25 ° C	DCR mΩ MAX 25 ° C
LPM1260-4R7M	4.7	13.0	22.5	8.5	13.0
LPM1260-5R6M	5.6	12.5	20.0	10.5	15.0
LPM1260-6R8M	6.8	11.5	18.5	11.0	14.0
LPM1260-8R2M	8.2	11	13.5	13.6	16.0
LPM1260-100M	10.0	10.0	12.5	18.0	20.7
LPM1265-150M	15.0	6.0	9.0	29.0	34.0
LPM1265-220M	22.0	5.0	7.5	34.0	39.5
LPM1265-330M	33.0	4.0	6.0	65.0	75.0
LPM1265-470M	47.0	3.5	5.5	80.0	90.0
LPM1265-680M	68.0	3.0	4.5	120.0	140.0

\*: you require another part number please contact with us.

\*\* : Inductance Tolerance ± 20%

Note 1: All test data is referenced to 25 °C ambient.

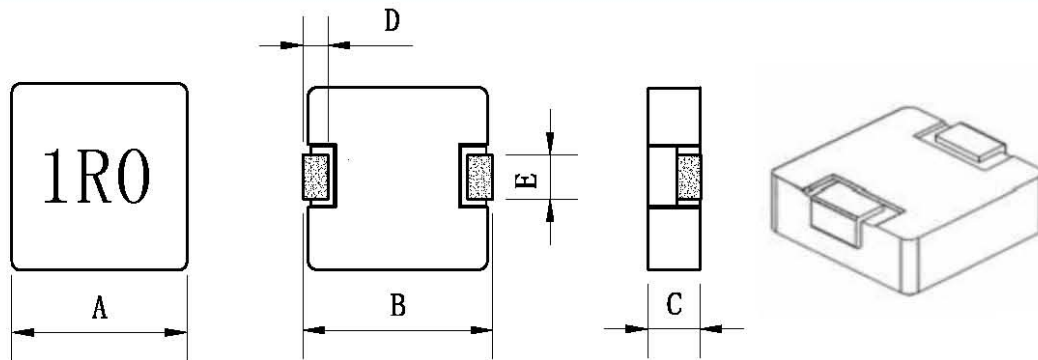
Note 2: Idc : DC current (A) that will cause an approximate ΔT of 40 °C

Note 3: Isat : DC current (A) that will cause Lo to drop approximately 30%



## SMD POWER INDUCTORS:

LPM-1270M Series



Series	A (mm)	B (mm)	C (mm)	D (mm)	E (mm)
LPM1270-1R0M	12.8 ± 0.5	13.2 ± 1.0	7.0 MAX	2.5 ± 0.5	3.8 ± 0.2
Part Number	L0 Inductance (μH) ± 20%	Heat Rating Current DC Amps.IDC(A)	Saturation Current Part Number DC Amps.	DCR MΩ TYPICAL 25 ° C	DCR mΩ MAX 25 ° C
LPM1270-820M	82.0	2.0	5.0	104.0	125.0
LPM1270-101M	100.0	1.0	3.5	111.5	140.0
LPM1270-221M	220.0	1.0	2.0	365.0	380.0

\*: you require another part number please contact with us.

\*\* : Inductance Tolerance ± 20%

Note 1: All test data is referenced to 25 °C ambient.

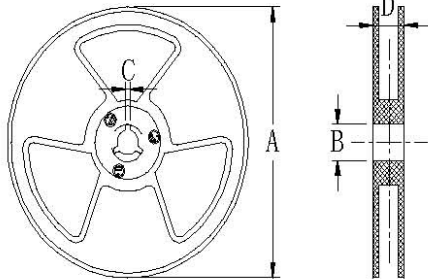
Note 2: Idc : DC current (A) that will cause an approximate ΔT of 40 °C

Note 3: Isat : DC current (A) that will cause Lo to drop approximately 30%

## SMD POWER INDUCTORS:

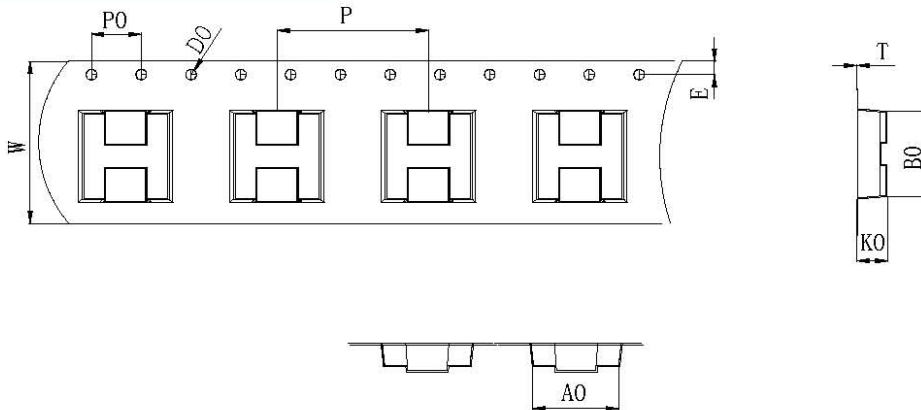
LPM-0420M Series

### 1. Reel Dimension



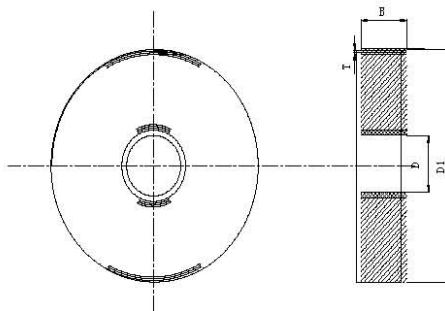
规格	13"
尺寸	
A	$\Phi 330 \pm 2.0\text{mm}$
B	$\Phi 76.5 \pm 2.0\text{mm}$
C	2.3mm
D	$12 \pm 0.2\text{mm}$ (载带9.3mm)

### 2. Tape Dimension



Size	W (mm)	A0 (mm)	B0 (mm)	DO (mm)	E (mm)	K0 (mm)	PO (mm)	P (mm)	T (mm)
4020	$12.0 \pm 0.3$	$4.8 \pm 0.1$	$4.8 \pm 0.1$	$1.5 \pm 0.1$	$1.75 \pm 0.1$	$2.0 \pm 0.1$	$4.0 \pm 0.1$	$8.0 \pm 0.1$	$0.3 \pm 0.05$

### 3. Packaing Quantity



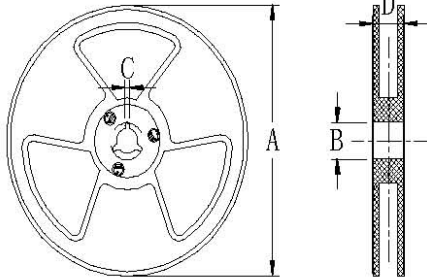
包装单位	包装尺寸	包装数量
1盘	330*12.5mm	4000pcs
1盒/3盘	34*6.5*34cm	12000pcs
1箱/2盒	35.5*28.5*36.5cm	24000pcs



## SMD POWER INDUCTORS:

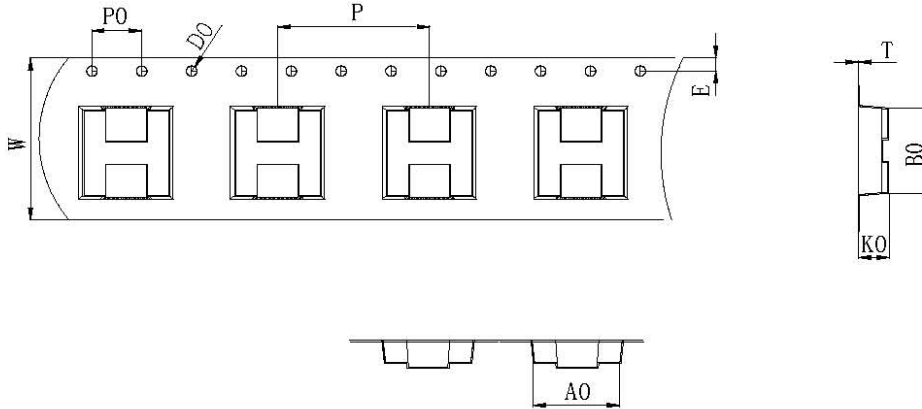
LPM-0520M Series

### 1. Reel Dimension



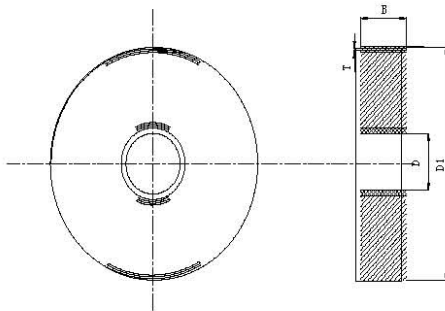
规格	13"
尺寸	
A	$\Phi 330 \pm 2.0\text{mm}$
B	$\Phi 76.5 \pm 2.0\text{mm}$
C	2.3mm
D	$12 \pm 0.2\text{mm}$ (载带9.3mm)

### 2. Tape Dimension



Size	W (mm)	A0 (mm)	B0 (mm)	D0 (mm)	E (mm)	K0 (mm)	P0 (mm)	P (mm)	T (mm)
5020	$12.0 \pm 0.3$	$5.5 \pm 0.1$	$6.0 \pm 0.1$	$1.5 \pm 0.1$	$1.75 \pm 0.1$	$2.0 \pm 0.1$	$4.0 \pm 0.1$	$8.0 \pm 0.1$	$0.3 \pm 0.05$

### 3. Packaing Quantity

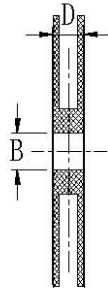
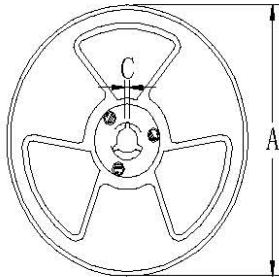


包装单位	包装尺寸	包装数量
1盘	330*12.5mm	3000pcs
1盒/3盘	34*6.5*34cm	90000pcs
1箱/2盒	35.5*28.5*36.5cm	180000pcs

## SMD POWER INDUCTORS:

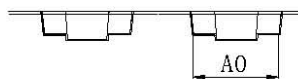
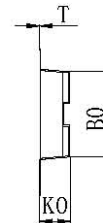
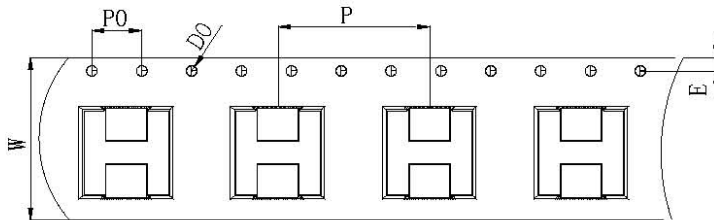
LPM-0530M Series

### 1. Reel Dimension



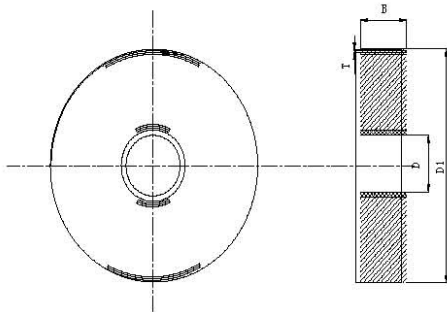
规格	13"
尺寸	
A	$\Phi 330 \pm 2.0\text{mm}$
B	$\Phi 76.5 \pm 2.0\text{mm}$
C	2.3mm
D	$12 \pm 0.2\text{mm}$ (载带9.3mm)

### 2. Tape Dimension



Size	W (mm)	AO (mm)	B0 (mm)	DO (mm)	E (mm)	KO (mm)	PO (mm)	P (mm)	T (mm)
5030	$12.0 \pm 0.3$	$5.5 \pm 0.1$	$6.0 \pm 0.1$	$1.5 \pm 0.1$	$1.75 \pm 0.1$	$3.0 \pm 0.1$	$4.0 \pm 0.1$	$8.0 \pm 0.1$	$0.3 \pm 0.05$

### 3. Packaing Quantity



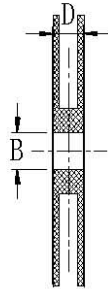
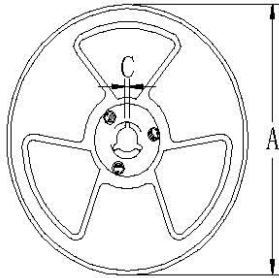
包装单位	包装尺寸	包装数量
1盘	330*12.5mm	2000pcs
1盒/3盘	34*6.5*34cm	6000pcs
1箱/2盒	35.5*28.5*36.5cm	12000pcs



## SMD POWER INDUCTORS:

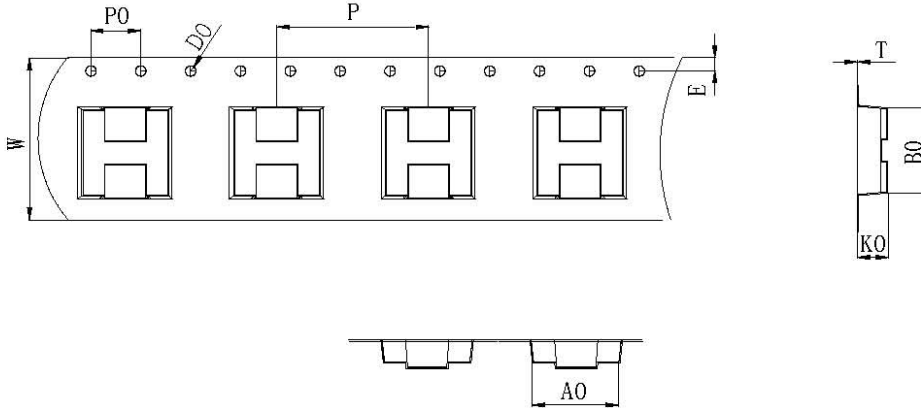
LPM-0612M Series

### 1. Reel Dimension



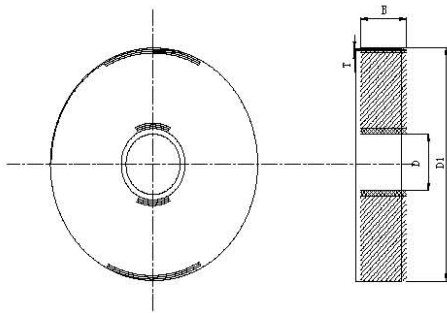
规格 尺寸	13"
A	$\Phi 330 \pm 2.0\text{mm}$
B	$\Phi 76.5 \pm 2.0\text{mm}$
C	2.3mm
D	16mm (载带 $13.3 \pm 0.15\text{mm}$ )

### 2. Tape Dimension



Size	W (mm)	AO (mm)	BO (mm)	DO (mm)	E (mm)	KO (mm)	PO (mm)	P (mm)	T (mm)
6012	$16.0 \pm 0.3$	$6.8 \pm 0.1$	$7.3 \pm 0.1$	$1.5 \pm 0.1$	$1.75 \pm 0.1$	$1.2 \pm 0.1$	$4.0 \pm 0.1$	$12.0 \pm 0.1$	$0.3 \pm 0.05$

### 3. Packaing Quantity



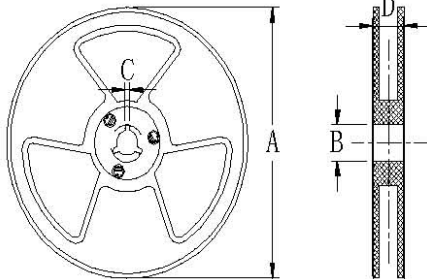
包装单位	包装尺寸	包装数量
1盘	330*29mm	3000pcs
1盒/3盘	34*6.5*34cm	9000pcs
1箱/2盒	35.5*28.5*36.5cm	18000pcs



## SMD POWER INDUCTORS:

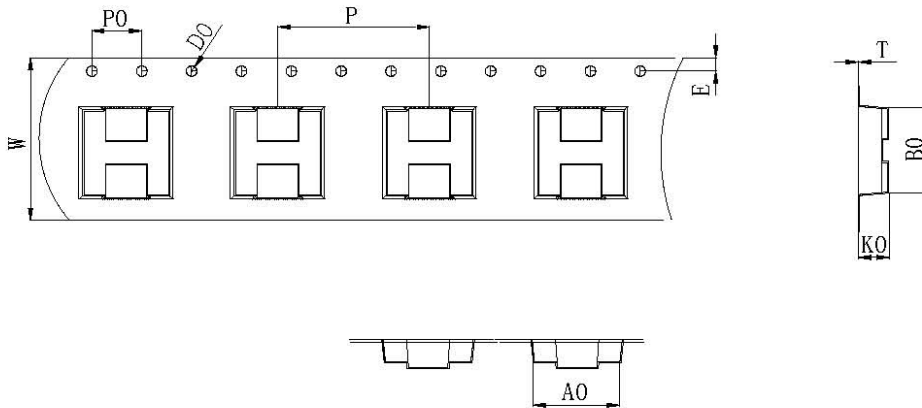
LPM-0618M Series

### 1. Reel Dimension



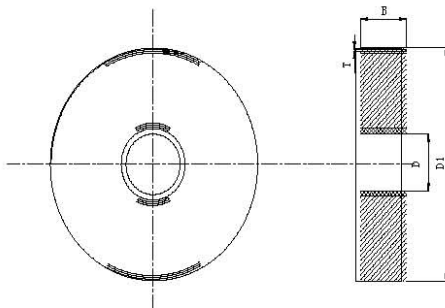
规格 尺寸	13"
A	$\Phi 330 \pm 2.0\text{mm}$
B	$\Phi 76.5 \pm 2.0\text{mm}$
C	2.3mm
D	16mm (载带 $13.3 \pm 0.15\text{mm}$ )

### 2. Tape Dimension



Size	W (mm)	A0 (mm)	B0 (mm)	D0 (mm)	E (mm)	K0 (mm)	P0 (mm)	P (mm)	T (mm)
6018	$16.0 \pm 0.3$	$6.8 \pm 0.1$	$7.3 \pm 0.1$	$1.5 \pm 0.1$	$1.75 \pm 0.1$	$1.8 \pm 0.1$	$4.0 \pm 0.1$	$12.0 \pm 0.1$	$0.3 \pm 0.05$

### 3. Packaing Quantity



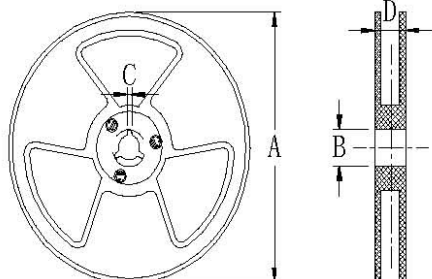
包装单位	包装尺寸	包装数量
1盘	330*29mm	3000pcs
1盒/3盘	34*6.5*34cm	9000pcs
1箱/2盒	35.5*28.5*36.5cm	18000pcs



## SMD POWER INDUCTORS:

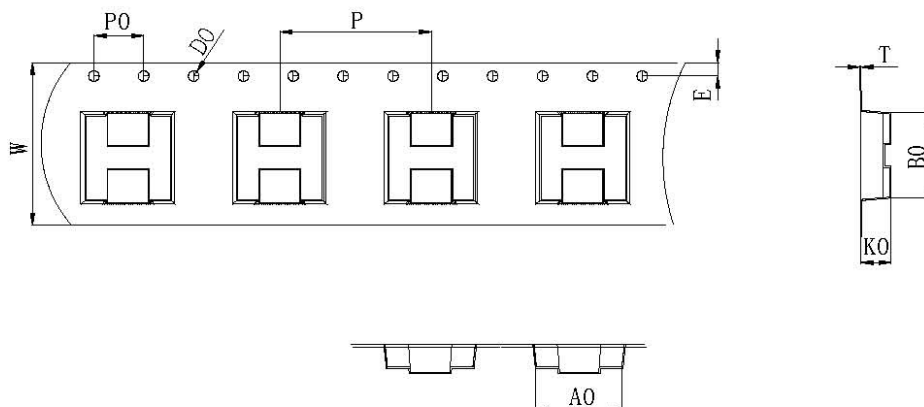
LPM-0624M Series

### 1. Reel Dimension



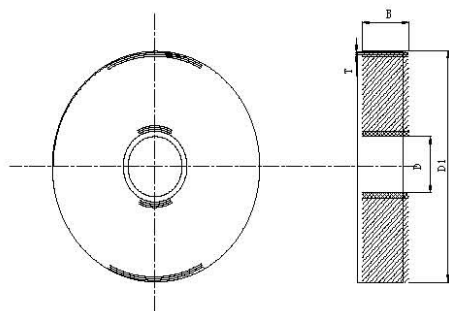
规格 尺寸	13"
A	$\Phi 330 \pm 2.0\text{mm}$
B	$\Phi 76.5 \pm 2.0\text{mm}$
C	2.3mm
D	16mm (载带 $13.3 \pm 0.15\text{mm}$ )

### 2. Tape Dimension



Size	W (mm)	A0 (mm)	B0 (mm)	D0 (mm)	E (mm)	K0 (mm)	P0 (mm)	P (mm)	T (mm)
6024	$16.0 \pm 0.3$	$6.8 \pm 0.1$	$7.3 \pm 0.1$	$1.5 \pm 0.1$	$1.75 \pm 0.1$	$2.4 \pm 0.1$	$4.0 \pm 0.1$	$12.0 \pm 0.1$	$0.3 \pm 0.05$

### 3. Packaing Quantity

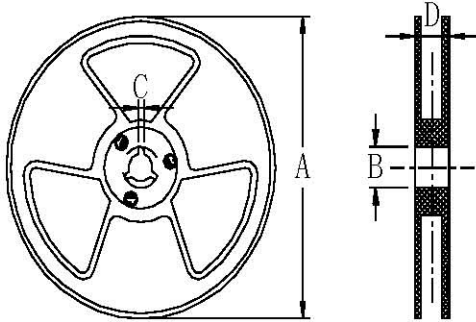


包装单位	包装尺寸	包装数量
1盘	330*29mm	2000pcs
1盒/3盘	34*6.5*34cm	6000pcs
1箱/2盒	35.5*28.5*36.5cm	12000pcs

## SMD POWER INDUCTORS:

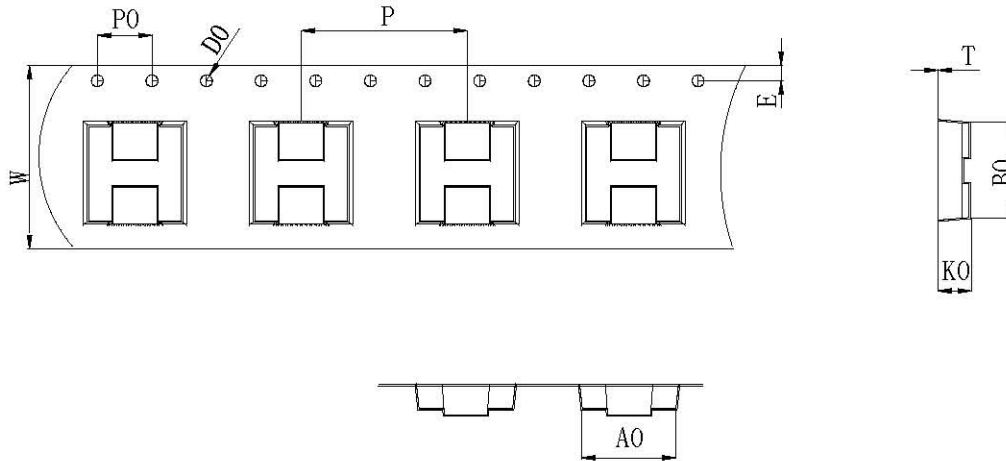
LPM-0630M Series

### 1. Reel Dimension



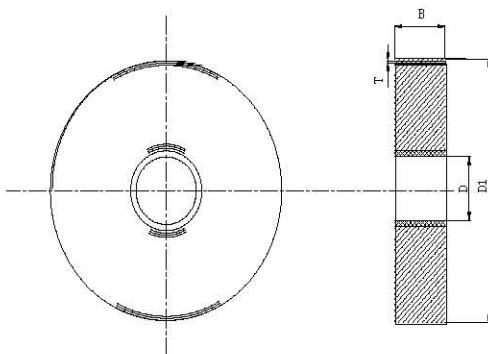
规格	13"
尺寸	
A	$\Phi 330 \pm 2.0\text{mm}$
B	$\Phi 76.5 \pm 2.0\text{mm}$
C	2.3mm
D	16mm (载带 $13.3 \pm 0.15\text{mm}$ )

### 2. Tape Dimension



Size	W (mm)	AO (mm)	BO (mm)	DO (mm)	E (mm)	KO (mm)	PO (mm)	P (mm)	T (mm)
6030	$16.0 \pm 0.3$	$6.8 \pm 0.1$	$7.3 \pm 0.1$	$1.5 \pm 0.1$	$1.75 \pm 0.1$	$3.0 \pm 0.1$	$4.0 \pm 0.1$	$12.0 \pm 0.1$	$0.3 \pm 0.05$

### 3. Packaing Quantity



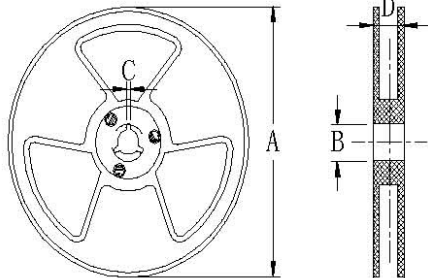
包装单位	包装尺寸	包装数量
1盘	330*29mm	2000pcs
1盒/3盘	34*6.5*34cm	6000pcs
1箱/2盒	35.5*28.5*36.5cm	12000pcs



## SMD POWER INDUCTORS:

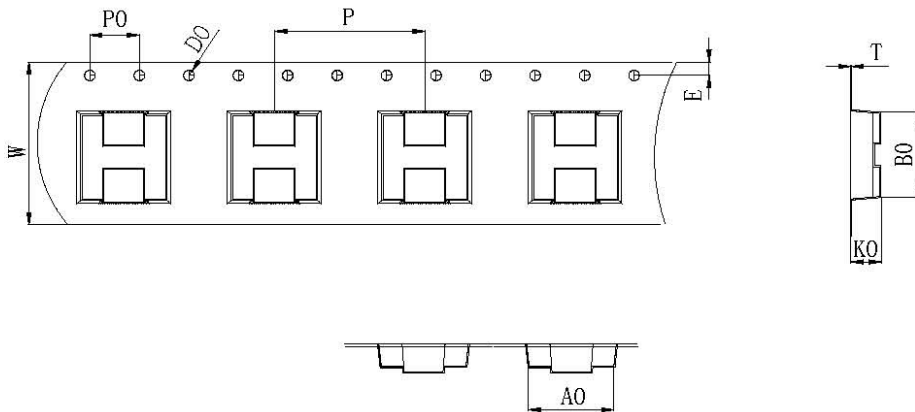
LPM-0640M Series

### 1. Reel Dimension



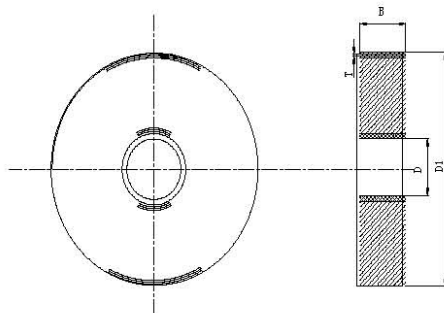
规格 尺寸	13"
A	$\Phi 330 \pm 2.0\text{mm}$
B	$\Phi 76.5 \pm 2.0\text{mm}$
C	2.3mm
D	16mm (载带 $13.3 \pm 0.15\text{mm}$ )

### 2. Tape Dimension



Size	W (mm)	AO (mm)	B0 (mm)	D0 (mm)	E (mm)	K0 (mm)	P0 (mm)	P (mm)	T (mm)
6040	$16.0 \pm 0.3$	$6.8 \pm 0.1$	$7.3 \pm 0.1$	$1.5 \pm 0.1$	$1.75 \pm 0.1$	$4.0 \pm 0.1$	$4.0 \pm 0.1$	$12.0 \pm 0.1$	$0.3 \pm 0.05$

### 3. Packaing Quantity

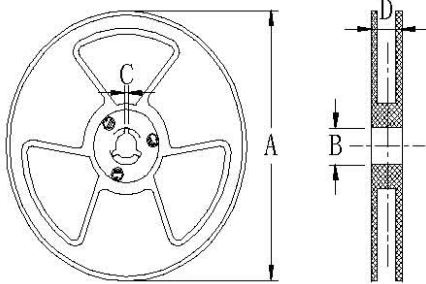


包装单位	包装尺寸	包装数量
1盘	330*29mm	1000pcs
1盒/2盘	34*6.5*34cm	2000pcs
1箱/2盒	35.5*28.5*36.5cm	4000pcs

## SMD POWER INDUCTORS:

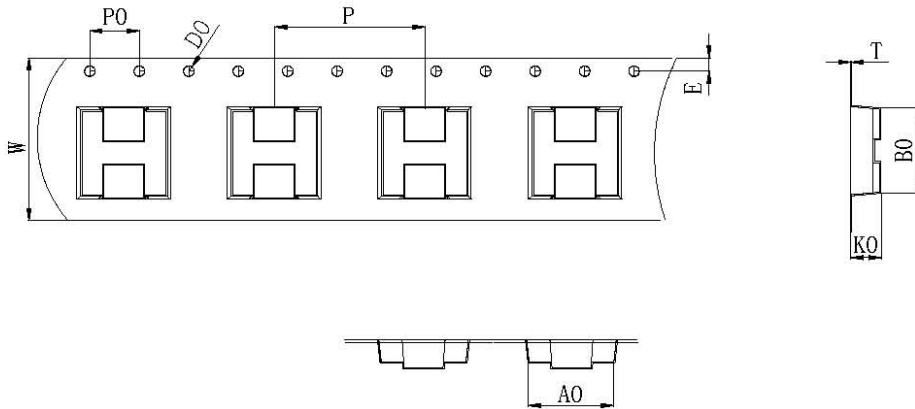
LPM-0650M Series

### 1. Reel Dimension



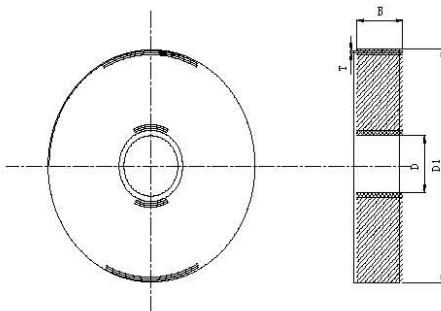
规格 尺寸	13"
A	$\Phi 330 \pm 2.0\text{mm}$
B	$\Phi 76.5 \pm 2.0\text{mm}$
C	2.3mm
D	16mm (载带 $13.3 \pm 0.15\text{mm}$ )

### 2. Tape Dimension



Size	W (mm)	A0 (mm)	B0 (mm)	D0 (mm)	E (mm)	K0 (mm)	P0 (mm)	P (mm)	T (mm)
6050	$16.0 \pm 0.3$	$6.8 \pm 0.1$	$7.3 \pm 0.1$	$1.5 \pm 0.1$	$1.75 \pm 0.1$	$5.0 \pm 0.1$	$4.0 \pm 0.1$	$12.0 \pm 0.1$	$0.3 \pm 0.05$

### 3. Packaing Quantity

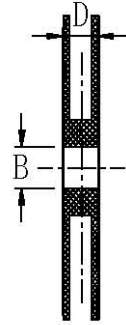
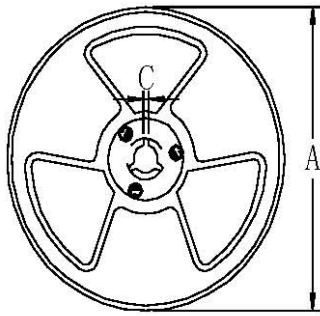


包装单位	包装尺寸	包装数量
1盘	330*29mm	1000pcs
1盒/2盘	34*6.5*34cm	2000pcs
1箱/2盒	35.5*28.5*36.5cm	4000pcs

## SMD POWER INDUCTORS:

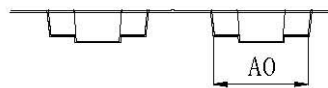
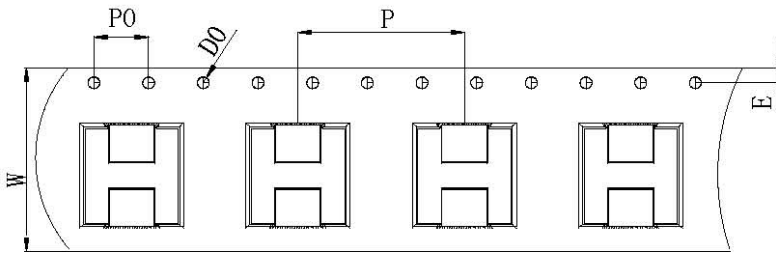
LPM-1040M Series

### 1. Reel Dimension



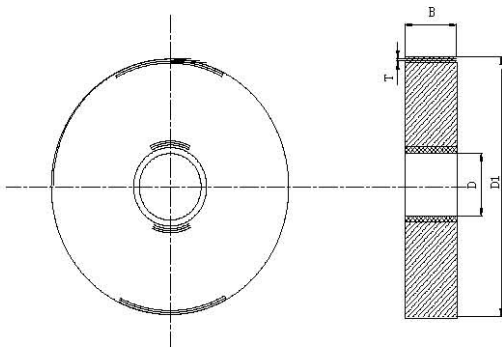
规格 尺寸	13"
A	$\Phi 330 \pm 2.0$ (mm)
B	$\Phi 76.5 \pm 2.0$ mm
C	$\Phi 2.3$ mm
D	24.0 (载带 $21.3 \pm 0.15$ mm)

### 2. Tape Dimension



Size	W (mm)	AO (mm)	BO (mm)	DO (mm)	E (mm)	KO (mm)	PO (mm)	P (mm)	T (mm)
1040	$24.0 \pm 0.3$	$10.6 \pm 0.1$	$11.6 \pm 0.1$	$1.5 \pm 0.1$	$1.75 \pm 0.1$	$4.0 \pm 0.1$	$4.0 \pm 0.1$	$16.0 \pm 0.1$	$0.3 \pm 0.05$

### 3. Packaing Quantity

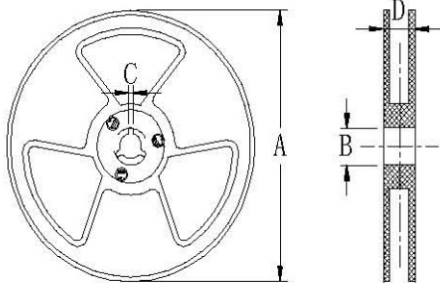


包装单位	包装尺寸	包装数量
1盘	330*29mm	1000pcs
1盒/2盘	34*6.5*34cm	2000pcs
1箱/2盒	35.5*28.5*36.5cm	4000pcs

## SMD POWER INDUCTORS:

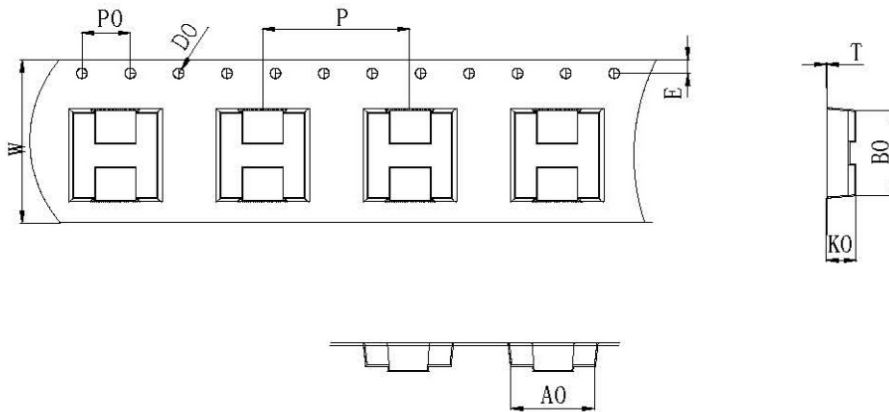
LPM-1050M Series

### 1. Reel Dimension



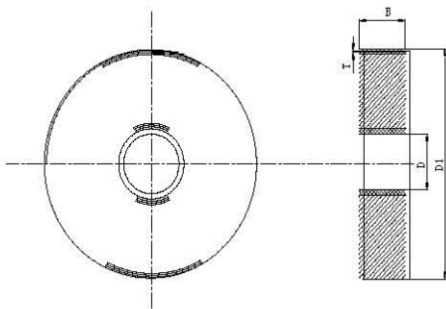
规格	13"
尺寸	
A	$\Phi 330 \pm 2.0$ (mm)
B	$\Phi 76.5 \pm 2.0$ mm
C	$\Phi 2.3$ mm
D	24.0 (载带 $21.3 \pm 0.15$ mm)

### 2. Tape Dimension



Size	W (mm)	A0 (mm)	B0 (mm)	D0 (mm)	E (mm)	K0 (mm)	P0 (mm)	P (mm)	T (mm)
1050	$24.0 \pm 0.3$	$10.6 \pm 0.1$	$11.6 \pm 0.1$	$1.5 \pm 0.1$	$1.75 \pm 0.1$	$5.0 \pm 0.1$	$4.0 \pm 0.1$	$16.0 \pm 0.1$	$0.3 \pm 0.05$

### 3. Packaing Quantity



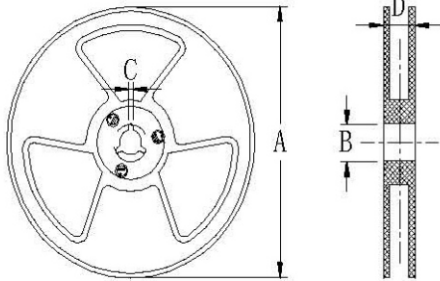
包装单位	包装尺寸	包装数量
1盘	330*29mm	800pcs
1盒/2盘	34*6.5*34cm	1600pcs
1箱/2盒	35.5*28.5*36.5cm	3200pcs



## SMD POWER INDUCTORS:

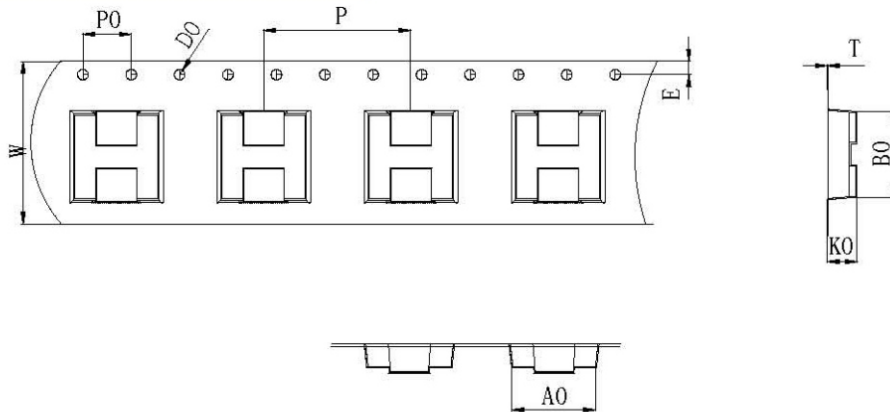
LPM-1250M Series

### 1. Reel Dimension



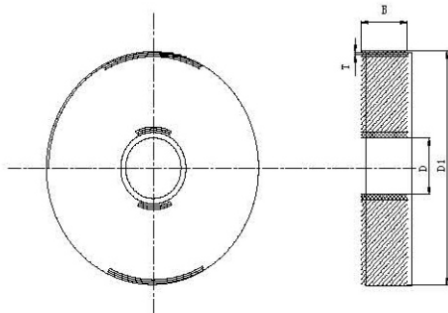
规格 尺寸	13"
A	$\Phi 330 \pm 2.0$ (mm)
B	$\Phi 76.5 \pm 2.0$ mm
C	$\Phi 2.3$ mm
D	24.0上载带21.3 $\pm 0.15$ mm)

### 2. Tape Dimension



Size	W(mm)	A0(mm)	B0(mm)	D0(mm)	E(mm)	K0(mm)	P0(mm)	P(mm)	T(mm)
1250	24.0 $\pm 0.3$	13.1 $\pm 0.1$	14.1 $\pm 0.1$	1.5 $\pm 0.1$	1.75 $\pm 0.1$	5.0 $\pm 0.1$	4.0 $\pm 0.1$	20.0 $\pm 0.1$	0.4 $\pm 0.05$

### 3. Packaing Quantity

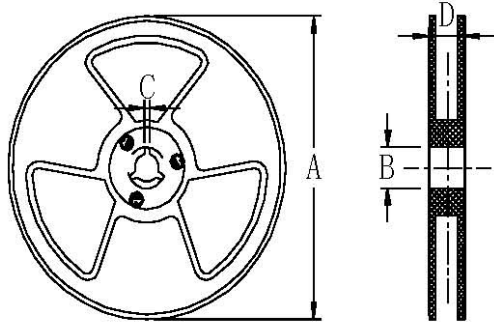


包装单位	包装尺寸	包装数量
1盘	330*29mm	500pcs
1盒/2盘	34*6.5*34cm	1000pcs
1箱/2盒	35.5*28.5*36.5cm	2000pcs

## SMD POWER INDUCTORS:

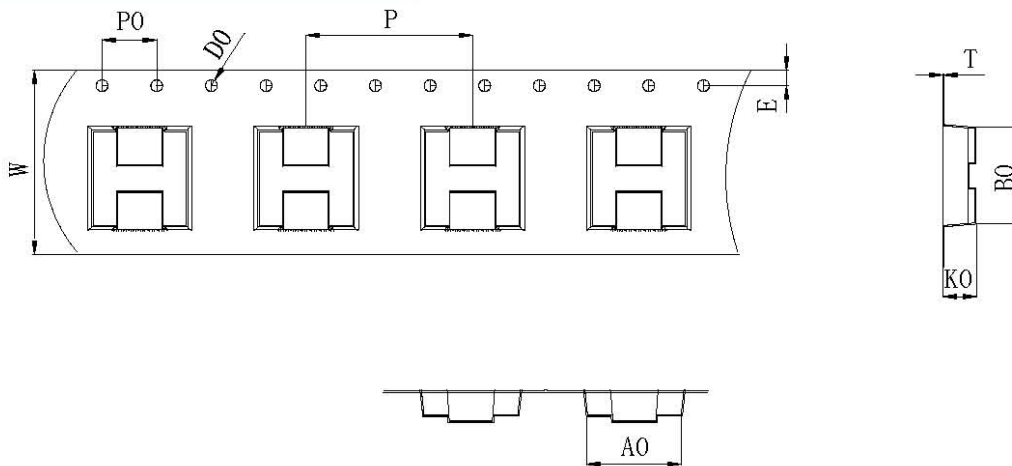
LPM-1260M Series

### 1. Reel Dimension



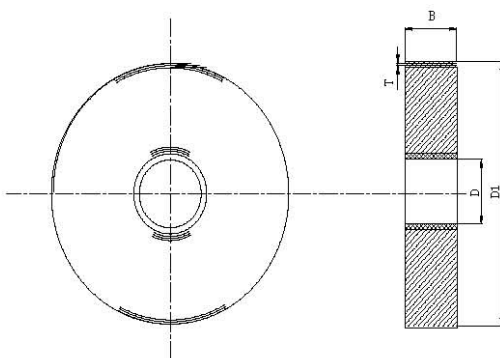
规格 尺寸	13"
A	$\Phi 330 \pm 2.0$ (mm)
B	$\Phi 76.5 \pm 2.0$ mm
C	$\Phi 2.3$ mm
D	24.0上载带21.3 $\pm 0.15$ mm)

### 2. Tape Dimension



Size	W (mm)	AO (mm)	B0 (mm)	DO (mm)	E (mm)	KO (mm)	PO (mm)	P (mm)	T (mm)
1260	24.0 $\pm 0.3$	13.1 $\pm 0.1$	14.1 $\pm 0.1$	1.5 $\pm 0.1$	1.75 $\pm 0.1$	6.0 $\pm 0.1$	4.0 $\pm 0.1$	20.0 $\pm 0.1$	0.4 $\pm 0.05$

### 3. Packaing Quantity



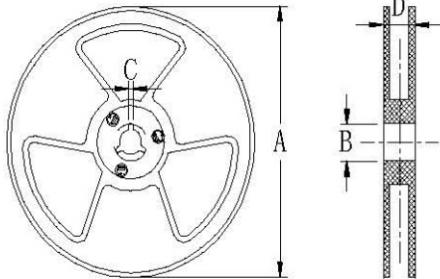
包装单位	包装尺寸	包装数量
1盘	330*29mm	500pcs
1盒/2盘	34*6.5*34cm	1000pcs
1箱/2盒	35.5*28.5*36.5cm	2000pcs



## SMD POWER INDUCTORS:

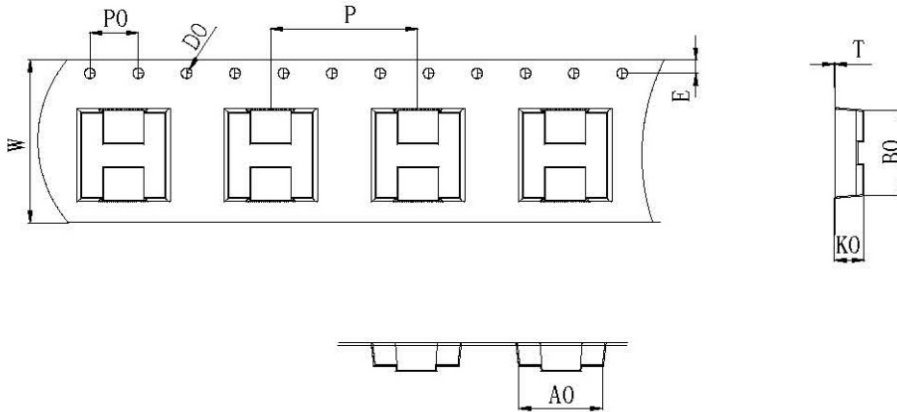
LPM-1270M Series

### 1. Reel Dimension



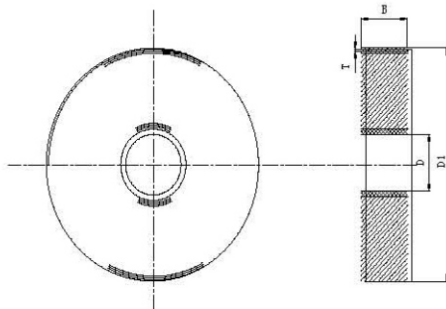
规格 尺寸	13"
A	$\Phi 330 \pm 2.0$ (mm)
B	$\Phi 76.5 \pm 2.0$ mm
C	$\Phi 2.3$ mm
D	24.0上载带21.3 $\pm 0.15$ mm)

### 2. Tape Dimension



Size	W (mm)	A0 (mm)	B0 (mm)	D0 (mm)	E (mm)	K0 (mm)	P0 (mm)	P (mm)	T (mm)
1270	24.0 $\pm 0.3$	13.1 $\pm 0.1$	14.1 $\pm 0.1$	1.5 $\pm 0.1$	1.75 $\pm 0.1$	7.0 $\pm 0.1$	4.0 $\pm 0.1$	20.0 $\pm 0.1$	0.4 $\pm 0.05$

### 3. Packaing Quantity



包装单位	包装尺寸	包装数量
1盘	330*29mm	500pcs
1盒/2盘	34*6.5*34cm	1000pcs
1箱/2盒	35.5*28.5*36.5cm	2000pcs