



FEATURES

- RoHS compliant
- 2:1 wide range voltage input
- Continuous short circuit protection with current foldback
- Operating temperature range -40°C to 85°C
- 0.75% regulation
- 1kVDC Isolation
- Efficiency to 83%
- Power density 0.9W/cm³
- 5V, 12V, 24V & 48V nominal input
- 5V, 9V, 12V & 15V output
- No electrolytic capacitors
- Fully encapsulated
- External control
- Low noise
- Fully encapsulated

DESCRIPTION

The NDL series is a range of high performance miniature DC/DC converters having regulated outputs over the wide temperature range of -40°C to 85°C. The input voltage range is 2:1 with the output power at 2 watts and the input to output isolation is 1kVDC. Continuous short circuit protection, external control and extremely small SIP packaging provide state of the art functionality. Nominal input voltages of 5, 12, 24 and 48V with output voltages of 5,9,12 and 15V are available as standard with custom parts on request. The plastic case is rated to UL94V-0 with encapsulant to UL94V-1.

SELECTION GUIDE

Order Code	Input Voltage	Rated Output Voltage	Output Current ¹		Input Current ² Full Load	Efficiency	Isolation Capacitance	MTTF ⁴
			Min Load ³	Full Load				
	V (nom.)	V	mA	mA	mA	%	pF	kHrs
NDL0505SC	5	5	100	400	606	66	26	2015
NDL0509SC	5	9	55	222	558	71	27	1998
NDL0512SC	5	12	42	167	559	71	26	1980
NDL0515SC	5	15	33	134	549	73	27	1965
NDL1205SC	12	5	100	400	228	73	39	1994
NDL1209SC	12	9	55	222	211	79	38	1981
NDL1212SC	12	12	42	167	208	80	47	1961
NDL1215SC	12	15	33	134	206	81	47	1947
NDL2405SC	24	5	100	400	112	74	37	1722
NDL2409SC	24	9	55	222	102	81	40	1711
NDL2412SC	24	12	42	167	100	83	51	1696
NDL2415SC	24	15	33	134	100	83	58	1685
NDL4805SC	48	5	100	400	57	73	39	1719
NDL4809SC	48	9	55	222	52	80	40	1709
NDL4812SC	48	12	42	167	51	81	53	1694
NDL4815SC	48	15	33	134	51	82	65	1683

INPUT CHARACTERISTICS

Parameter	Conditions	MIN.	TYP.	MAX.	Units
Voltage range	All NDL05 types	4.5	5	9	VDC
	All NDL12 types	9	12	18	
	All NDL24 types	18	24	36	
	All NDL48 types	36	48	72	
Reflected ripple current	All NDL05 types with 100µF at input			250	mA p-p
	All NDL12 types with 100µF at input			150	
	All NDL24 types with 10µF at input		300	380	
	All NDL48 types with 10µF at input		140	170	

ABSOLUTE MAXIMUM RATINGS

Short-circuit protection	Continuous
Lead temperature 1.5mm from case for 10 seconds	300°C
Control pin input current	10mA
Input voltage 05 types	10V
Input voltage 12 types	20V
Input voltage 24 types	40V
Input voltage 48 types	80V

1. Refer to power derating graph for operating of 5V input types at 4.5 to 6V.
2. Measured at full load with external input/output capacitors.
3. A lower load condition is entirely safe but higher levels of output ripple will be experienced.
4. Calculated using MIL-HDBK-217F with nominal input voltage at full load.
All specifications typical at T_A=25°C, nominal input voltage and rated output current unless otherwise specified.



OUTPUT CHARACTERISTICS					
Parameter	Conditions ¹	TYP.	MAX.	Units	
Voltage set point accuracy	All NDL05/12 input types with external input/output capacitors	±1	±3	%	
	All NDL24/48 input types with external input/output capacitors	±2	±5		
Line regulation	All NDL05/12 input types, low line to high line with external input/output capacitors	0.05	0.5	%	
	All NDL24/48 input types, low line to high line with external input/output capacitors	0.04	0.4		
Load regulation	All NDL05/12 input types, minimum load to rated load with external input/output capacitors	0.2	0.75	%	
	All NDL24/48 input types, minimum load to rated load with external input/output capacitors	0.2	0.75		
Ripple	B/W = 20MHz to 300kHz with external input/output capacitors	5	10	mV rms	
Noise	All NDL05 input types, B/W =DC to 100MHz with external input/output capacitors	20	35	mV p-p	
	All NDL12 input types, B/W =DC to 100MHz with external input/output capacitors	110	170		
	All NDL24/48 input types, B/W =DC to 100MHz with external input/output capacitors	50	100		
Shutdown power	+V _{IN} nominal	2.8		mW	

ISOLATION CHARACTERISTICS					
Parameter	Conditions	MIN.	TYP.	MAX.	Units
Isolation test voltage	Flash tested for 1 second	1000			V _{bc}
Resistance	V _{ISO} = 1000VDC	1			GΩ

GENERAL CHARACTERISTICS					
Parameter	Conditions	MIN.	TYP.	MAX.	Units
Control pin (CTRL) input current	Please refer to control pin application note	6.0	1.0	15	mA
Switching frequency	MAX. rated load to MIN. rated load, V _{IN} MIN. to V _{IN} MAX.	100		600	kHz

TEMPERATURE CHARACTERISTICS					
Parameter	Conditions	MIN.	TYP.	MAX.	Units
Operation		-40		85	°C
Storage		-50		130	
Cooling	Free air convection				

TECHNICAL NOTES					
ISOLATION VOLTAGE					
‘Hi Pot Test’, ‘Flash Tested’, ‘Withstand Voltage’, ‘Proof Voltage’, ‘Dielectric Withstand Voltage’ & ‘Isolation Test Voltage’ are all terms that relate to the same thing, a test voltage, applied for a specified time, across a component designed to provide electrical isolation, to verify the integrity of that isolation.					
SHINHOM Technologies NDL series of DC/DC converters are all 100% production tested at their stated isolation voltage. This is 1KVDC for 1 second.					
A question commonly asked is, “What is the continuous voltage that can be applied across the part in normal operation?”					
For a part holding no specific agency approvals, such as the NDL series, both input and output should normally be maintained within SELV limits i.e. less than 42.4V peak, or 60VDC. The isolation test voltage represents a measure of immunity to transient voltages and the part should never be used as an element of a safety isolation system. The part could be expected to function correctly with several hundred volts offset applied continuously across the isolation barrier; but then the circuitry on both sides of the barrier must be regarded as operating at an unsafe voltage and further isolation/insulation systems must form a barrier between these circuits and any user-accessible circuitry according to safety standard requirements.					
REPEATED HIGH-VOLTAGE ISOLATION TESTING					
It is well known that repeated high-voltage isolation testing of a barrier component can actually degrade isolation capability, to a lesser or greater degree depending on materials, construction and environment. The NDL series has an EI ferrite core, with no additional insulation between primary and secondary windings of enameled wire. While parts can be expected to withstand several times the stated test voltage, the isolation capability does depend on the wire insulation. Any material, including this enamel (typically polyurethane) is susceptible to eventual chemical degradation when subject to very high applied voltages thus implying that the number of tests should be strictly limited. We therefore strongly advise against repeated high voltage isolation testing, but if it is absolutely required, that the voltage be reduced by 20% from specified test voltage.					
This consideration equally applies to agency recognized parts rated for better than functional isolation where the wire enamel insulation is always supplemented by a further insulation system of physical spacing or barriers.					

1. Refer to recommended test circuit for external input/output capacitors.

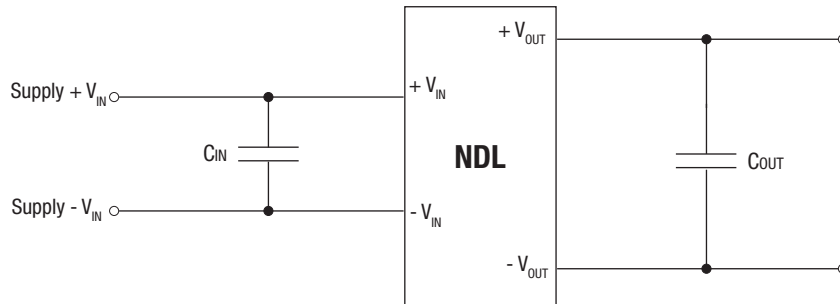
APPLICATION NOTES

External capacitance

Although these converters will work without external capacitors, they are necessary in order to guarantee the full parametric performance over the full line and load range. All parts have been tested and characterized using the following values and test circuit.

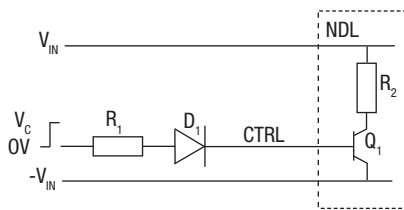
Value		
Input Voltage (V)	C _{IN}	C _{OUT}
5 & 12	100µF, 25V	100µF, 25V
24 & 48	10µF, 200V	100µF, 25V

Test circuit



Control Pin

The NDL converters have a shutdown feature which enables the user to put the converter into a low power state. The control pin connects directly to the base of an internal transistor, and the switch off mechanism for the NDL works by forward biasing this NPN transistor. If the pin is left open (high impedance), the converter will be ON (there is no allowed low state for this pin), but once a control voltage is applied with sufficient drive current, the converter will be switched OFF. A suitable application circuit is shown below.



D₁ (e.g. 1N4001) is required to provide high impedance when the signal is low. From the NDL specification, the drive current to operate this function is recommended to be 6mA, and hence the value of R₁ can be derived as follows:

$$R_1 = \frac{V_C - V_D - V_Q}{I_C}$$

Assuming V_C=5V, V_D=0.7V and V_Q=1V:

$$R_1 = \frac{5 - 0.7 - 1.0}{6 \times 10^{-3}} = 550\Omega$$

Pin 8 (C_s)

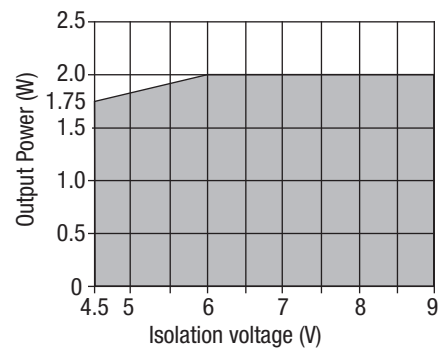
This pin provides a connection point to the main reservoir capacitor. Additional capacitance can be added from this pin to pin 7. Any lower ESR capacitor will remove ripple and noise to some degree. The benefit of this access point over simple additional output capacitance is that it precedes the output filter inductor. Maximum values of external capacitance will be dependent on the output voltage, the loading of the converter and the desired ripple figure. Values can be up to 100µF.

RoHS COMPLIANT INFORMATION



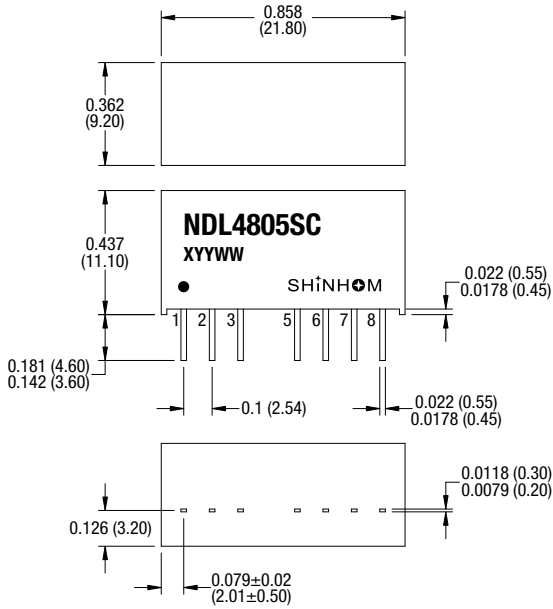
This series is compatible with RoHS soldering systems with a peak wave solder temperature of 300°C for 10 seconds. The pin termination finish on this product series is Tin Plate, Hot Dipped over Matte Tin with Nickel Preplate. The series is backward compatible with Sn/Pb soldering systems.

NDL05 POWER DERATING CURVE



PACKAGE SPECIFICATIONS

MECHANICAL DIMENSIONS



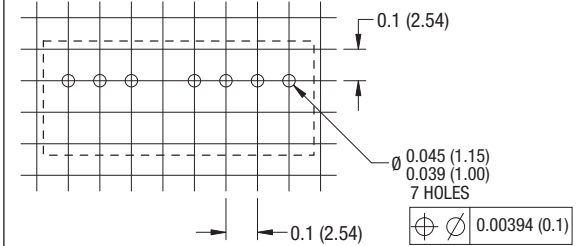
All dimensions in inches ± 0.01 (mm ± 0.25 mm). All pins on a 0.1 (2.54) pitch and within ± 0.01 (0.25) of true position.

PIN CONNECTIONS

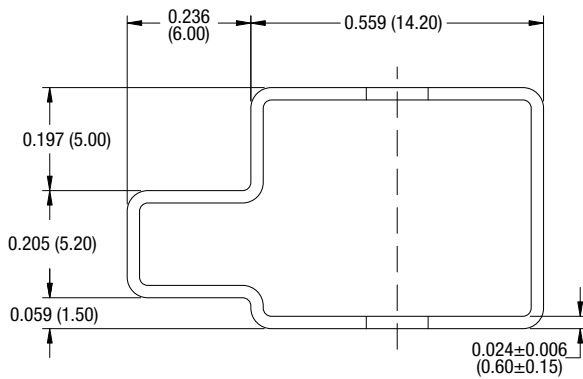
Pin	Function
1	-V _{IN}
2	+V _{IN}
3	CTRL
5*	IC
6	+V _{OUT}
7	-V _{OUT}
8	C _s

* This pin is internally connected, and must have no external connection and is used for mechanical reasons. External connection to anything will result in converter failure.

RECOMMENDED FOOTPRINT DETAILS



TUBE OUTLINE DIMENSIONS



All dimensions in inches ± 0.01 (mm ± 0.5 mm).
Tube length : 20.47 \pm 0.079 (520mm \pm 2mm).

Tube Quantity : 23