

SCTK681C-013 series retro-fit (split-core) current transformer has been specially designed to facilitate their installation in new or already existing net works. They may be installed without opening any cable or bus-bar circuit. An internal precision resistor across the secondary winding of the CT provides a low safe voltage output. It can save time and the installation costs.

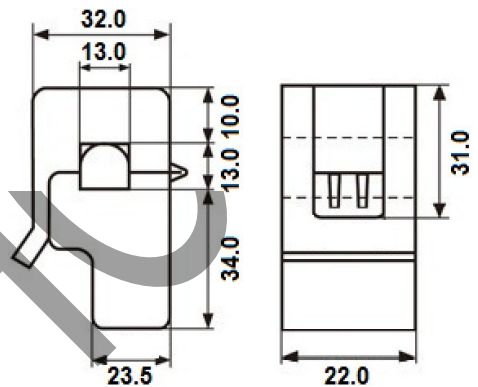
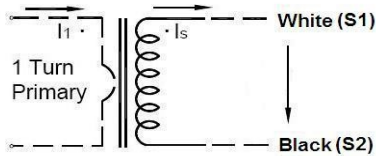
◆ Features

- Double-screw fastening, safe, easy to install, portable
- Wide inner window, allowing clamping of big cables or bus-bars
- Wide range of sizes to accommodate all the existing installations

◆ Applications

- Current measurement, monitoring and protection for electrical wiring and equipment.
- Current and power measurement for electric motors, lighting, air compressor, heating and ventilation system, air-condition equipment and automation – control system.
- Current, power and energy monitoring device.
- Relay protection device.

◆ Circuit connection diagram



◆ Technique Index

Electrical Parameter	
Frequency	50-20KHz
Rated Input	0-100A
Measuring range	5%In-130%In
Rated Output	0-50mA/0-1V
Ratio	$\leq \pm 0.5\%$
Phase angle	$\leq \pm 30\text{min}$
Dielectric strength	2.5KV/1mA/1min
Insulation Resistance	DC500V/100MΩ min

Mechanical Parameter	
Case	PA /UL94-V0
Bobbin	PA
Core	Ferrite
Internal structure	Epoxy
Construction	Tie
Operating Temp	-25°C ~ +75°C
Operating Humidity	$\leq 85\%$
Output Connection	1015/22AWG Wire(twisted wire) 1.0m

◆ Type Selection (Output: A)

P/N	Rated Input (A)	Output (mA/V)	Accuracy	Dimensions(mm)	
				Width	Height
SCTK681C-013	0-5A	0-1V	0.5、1.0、3.0	32.0	31.0
SCTK681C-013	0-50A	0-2V	0.5、1.0、3.0	32.0	31.0
SCTK681C-013	0-100A	0-1V	0.5、1.0、3.0	32.0	31.0
SCTK681C-013	0-100A	0-50mA	0.5、1.0、3.0	32.0	31.0