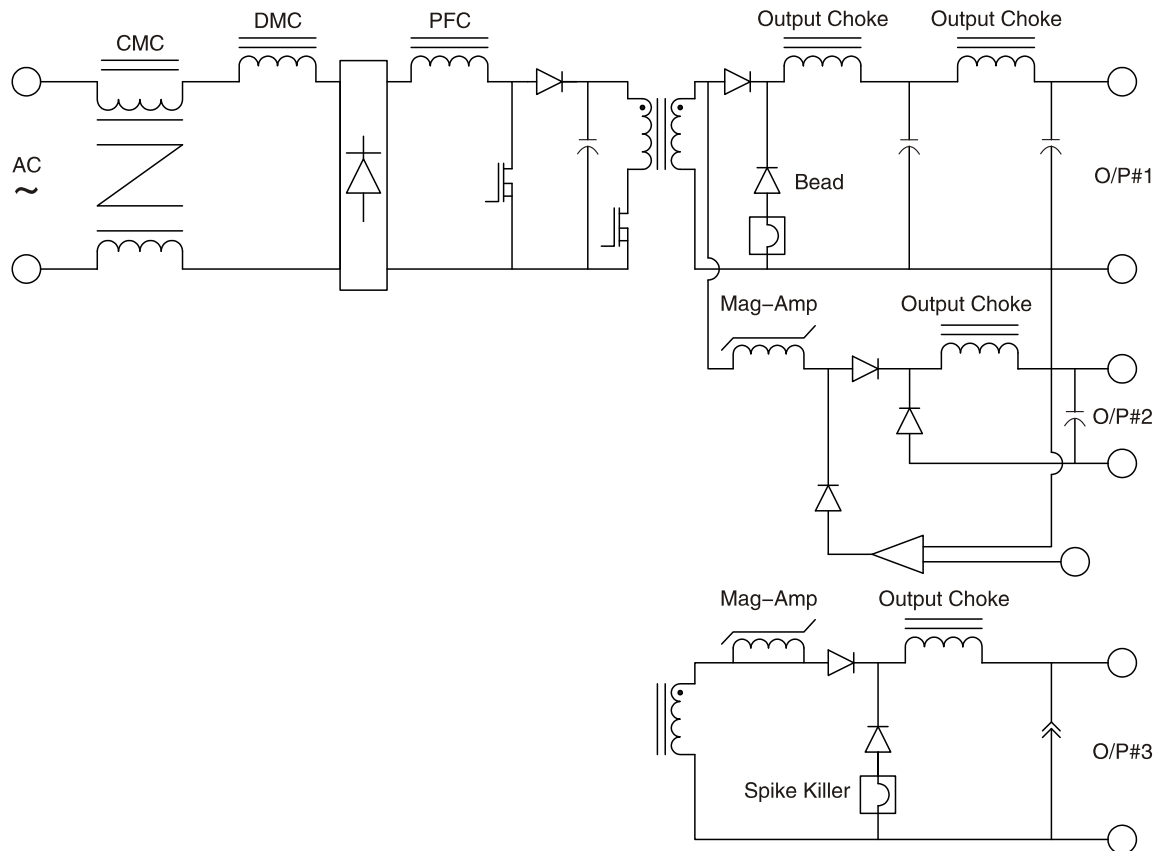


INTRODUCTION

TYPICAL APPLICATION CIRCUIT FOR SMPS

Typical SMPS Circuit Diagram



Major Power Supply Applications

Application	Material	Series Part Code
Common Mode Choke	Nano, Amorphous Alloy	N80 series
Differential-Mode Choke	Fe-based Amorphous Alloy	GO-50, GO-100, RC, APT series
PFC Boost Choke	Fe-based Amorphous Alloy	GO-50, GO-100, APT series
Mag-Amp	Co-based Amorphous Alloy	MA series
Mag-Amp	Nano-based Amorphous Alloy	MN series
Output Choke	Fe-based Amorphous Alloy	GO-50, GO-100, RC, APT series
Bead	Co-based Amorphous Alloy	NB series
Spike Killer	Co-based Amorphous Alloy	NK series