



# SPLIT-CORE CURRENT TRANSFORMERS

## ACST-3110

### FEATURES:

- Small core type
- Low cost
- High secondary turns
- Secure locking hinge

### OPTIONS:

- Packaging is Standard, Custom available
- Tolerance: 5% is standard, Tighter tolerances available

### COMMON APPLICATIONS:

- Portable instruments
- Sub-metreing
- Monitor motor loads

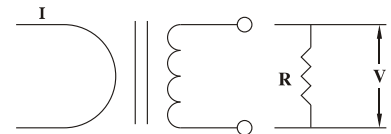
## ELECTRICAL CHARACTERISTICS

Part No. : ACST-3110

L	DCR	Primary Current	Secondary Turns	Insulation Resistance	High Potential	Frequency
10H min	460Ω max	75A/AC	3000	100MΩ @500V/DC	1000V/1min	50/60Hz

@25°C(Operating Temperature: -40°C~+85°C)

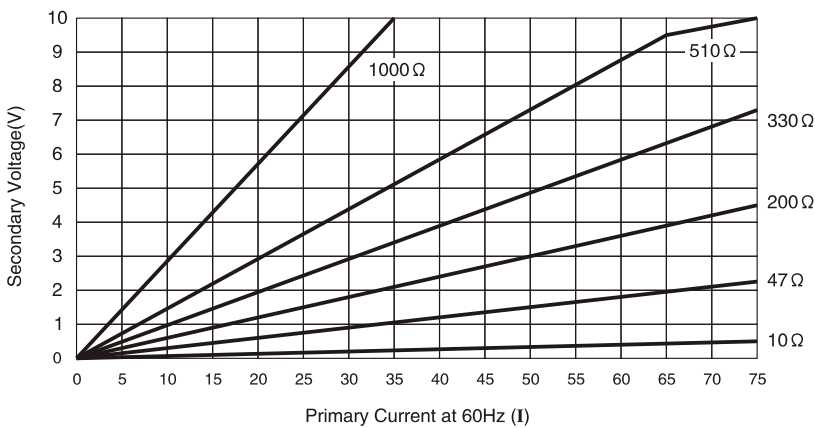
## TECHNICAL INFORMATION



Bold lines indicate linear region according to formula:

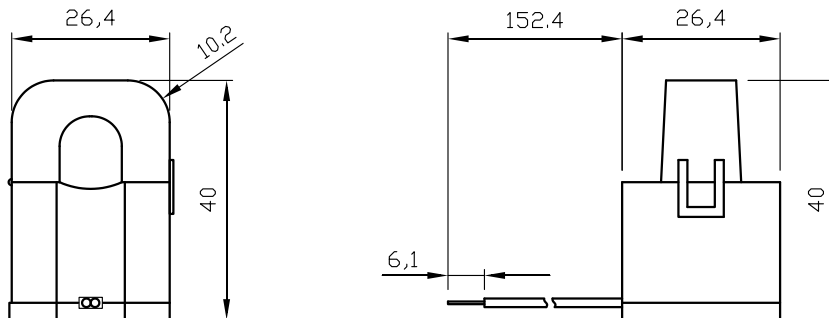
$$V = \frac{I \times R}{3100}$$

V : in Volts AC RMS  
I : Amps AC RMS  
R : in Ohms



The ACST-3110 Split-core current transformer is designed to provide a low cost method to monitoring electrical current. A unique hinge and locking snap allows attachment without interrupting the current-carrying wire. High secondary turn will develop signals up to 10.0 Vac across a burden resistor.

## PHYSICAL CHARACTERISTICS



All Dimensions in mm