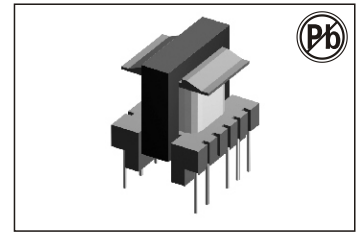


POWER FERRITE TRANSFORMERS

6-12W E16 - 3 OUTPUT

FLYBACK TRANSFORMERS

T 74015 SERIES



FEATURES:

- Primary / Secondary Insulation \geq 4000V
- Primary Auxiliary Insulation \geq 1500V
- Creepage distances Primary / secondary \geq 6mm

OPTIONS:

- Bulk packaging is standard
- Custom design available

COMMON APPLICATIONS:

- AC-DC converters
- DC-DC converters
- Switch Power supplies
- SMPS: Flyback, Forward and Push-pull
- SMPS: Half Bridge and Full Bridge

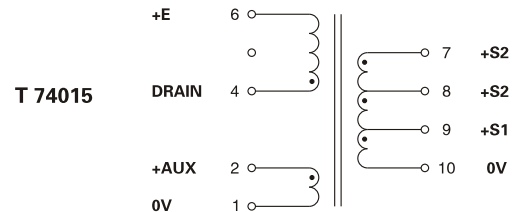
ELECTRICAL CHARACTERISTICS

| Control IC Manufacturer | Control IC P/N | Input voltage | Power | Frequency |
|-------------------------|----------------|----------------|-------|-----------|
| Power Integrations | TNY266 | 185 - 265 Vrms | 10 w | 132 kHz |
| Power Integrations | TNY266 | 85 - 265 Vrms | 8 w | 132 kHz |
| Power Integrations | TOP242P | 185 - 265 Vrms | 12 w | 132 kHz |
| Power Integrations | TOP242P | 85 - 265 Vrms | 9 w | 132 kHz |

TECHNICAL INFORMATION

- Ambient temperature $<$ 50°C
- Construction conforms to CEI950, CEI335, CEI61558 for reinforced insulation
- Exclusively uses UL94-VO listed materials

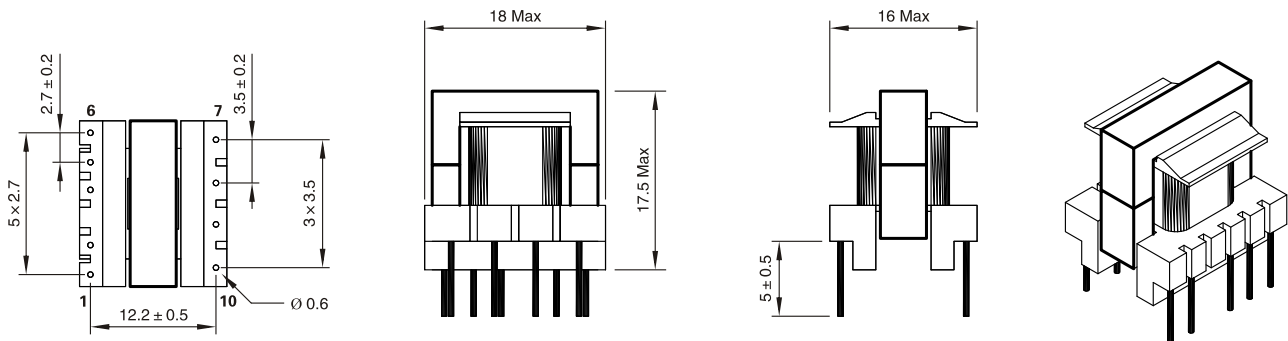
| SIZE E16 - 2 OUTPUTS : 5 & 12V - FLYBACK TRANSFORMER | | | | | | | |
|--|------------------|----------|------|-------|-----------|-------------|---------------------|
| Part Number | Output Power max | Windings | | | | | Inductance (+/-10%) |
| | | | Pins | Turns | Voltage | Current max | |
| T 74015 | 12 w | Pri | 4-6 | 120 | 110 (VOR) | 0.5 Apeak | 1800 μ H |
| | | Aux | 2-1 | 14 | 12 Vdc | 0.2 Adc | |
| | | S1 | 9-10 | 6 | 5 Vdc | 1.5 Adc | |
| | | S2 | 8-10 | 17 | 15 Vdc | 0.6 Adc | |
| | | S3 | 7-10 | 27 | 24 Vdc | 0.4 Adc | |



Note: Regulation with auxiliary winding

Note: PIN 3 Removed, PCB Drilling Diameter = 1.1mm

PHYSICAL CHARACTERISTICS



All dimensions in mm