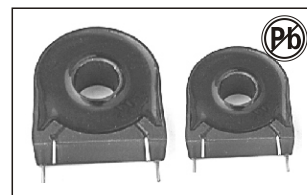


THROUGH-HOLE CURRENT SENSOR TRANSFORMER ACST010-013 SERIES



FEATURES:

- Low profile, directly to PCB.
- PBT 94V0 Case burn-resistant epoxy resin, stable.

OPTIONS:

- Bulk is standard
- Custom design acceptable

COMMON APPLICATIONS:

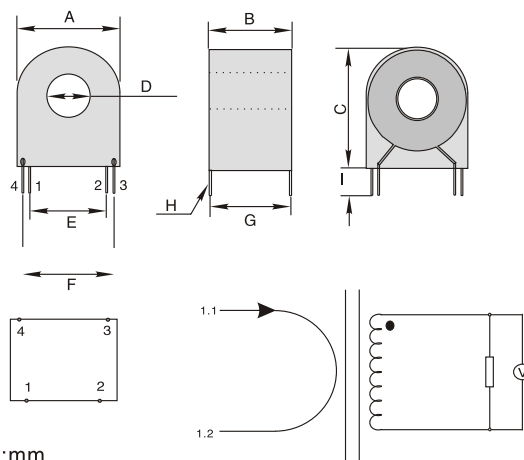
- AC energy Meter Power transducer RTU
- Protection current transformer
- AC kilowatt hour meter
- Electronical monitoring system

ELECTRICAL CHARACTERISTICS:

Performance&Specification for High Precision Current Test							Performance&Specification for Protection Precision Current Test						
Part Number	Rated primary current(A)	Max primary current(A)	Rated secondary current(mA)	Current ratio	Output ratio (Ω)	Accuracy class	Part Number	Rated primary current(A)	Max primary current(A)	Rated secondary current(mA)	Resistance load (Ohm)	Output ratio (Ω)	Accuracy class
ACST010A/5	5	40	2.5	2000:1	100	0.2,0.5	ACST010B	5	60	5	100	0.5	0.5,1.0
ACST010A/10	10	40	4	2500:1	100	0.2,0.5	ACST010B	10	60	10	100	1.0	0.5,1.0
ACST010A/20	20	40	10	2000:1	100	0.1,0.2,0.5	ACST010B	15	60	15	100	1.5	0.5,1.0
ACST011A/10	10	60	4	2500:1	100	0.1,0.2,0.5	ACST011B	20	60	20	100	2.0	0.5,1.0
ACST011A/20	20	60	10	2000:1	100	0.1,0.2,0.5	ACST011B	25	75	25	100	2.5	0.5,1.0
ACST011A/40	40	60	20	2000:1	100	0.1,0.2,0.5	ACST011B	30	75	30	100	3.0	0.5,1.0
ACST012A/60	60	120	24	2500:1	100	0.1,0.2,0.5	ACST012B	40	75	40	100	4.0	0.5,1.0
ACST012A/80	80	120	32	2500:1	100	0.1,0.2,0.5	ACST012B	50	125	50	100	5.0	0.5,1.0
ACST012A/120	120	120	48	2500:1	100	0.1,0.2,0.5	ACST012B	60	125	60	100	6.0	0.5,1.0
ACST013A/100	100	200	40	2500:1	100	0.1,0.2,0.5	ACST013B	75	125	75	100	7.5	0.5,1.0
ACST013A/100	100	200	50	2000:1	100	0.1,0.2,0.5	ACST013B	100	250	100	100	10.0	0.5,1.0
ACST013A/200	200	200	80	2500:1	100	0.1,0.2,0.5	ACST013B	150	250	150	100	15.0	0.5,1.0

TECHNICAL INFORMATION & PHYSICAL CHARACTERISTICS:

- Working Frequency range 20Hz~400Hz
 - Insulation resistance: 500V DC >100MΩ
 - Hi-Pot : 4000V 1mA 60S
 - Temperature range: -25°C to +85°C
 - Storage Temperature: -40°C to +105°C
 - Resistance to soldering heat: 260°C for 10 seconds
 - Marking: Part number and date code
- Note: All specifications subject to change without notice.



DIMENSIONS IN:mm

	A	B	C	D	E	F	G	H	I
ACST010	23.5	12.5	25.0	7.0	15.0	18.5	10.5	1.0	6.0
ACST011	26.0	17.0	29.0	9.0	15.0	18.5	15.0	1.0	6.0
ACST012	37.0	14.0	39.0	13.0	25.0	32.5	11.0	1.0	6.0
ACST013	49.0	20.0	54.0	18.5	29.5	37.0	17.5	1.0	6.0

Note: All specifications subject to change without notice.